

Rainsoft Division of Aquion, Inc  
2080 East Lunt Avenue  
Elk Grove Village, Illinois, 60007  
1.847.437.9400 or 1.800.860.7638  
www.rainsoft.com

# Ultrefiner II

## Premium Drinking Water System



*RainSoft*®  
*Taking the Worry Out of Water ...Since 1953*



This product is manufactured in an ISO 9001:2008 certified facility.



Model Ultrefiner II - FMV - BNFP, Ultrefiner II - FMV - BNFV, Ultrefiner II - FMV - CHFP and Ultrefiner II - FMV - CHFV are tested and certified by NSF International against NSF/ANSI standard 58 for the reduction of claims specified on the performance data sheet. Refer to the manufacturer's Performance Data Sheet for the specific reduction claims.



www.rainsoft.com

Not approved for use in California. Please request California-specific product literature from your local RainSoft Dealer.

Part No.: 16778

Rev: G 01/2014

**Congratulations** on your purchase of one of the finest Drinking Water Systems available to homeowners.

This Owner's Manual is designed to assist with the operation, maintenance, and installation of the Ultrifiner II System. It is our sincere hope that this manual is clear, concise, and helpful to you as a new owner.

**Questions?** If you have any questions regarding the installation, operation or servicing of this system, please contact your local RainSoft Dealer. Your RainSoft Dealer will be familiar with your particular situation, your water conditions, etc. and should be able to address your concerns promptly and efficiently.

## Table of Contents

Product Information .....	3
Product Certification Information.....	4
Components Requiring Periodic Replacement .....	4
Operational Specifications.....	5
Items Required for Installation.....	6
Installation Location .....	6
Installation Instructions.....	7-11
System Start Up.....	12-13
Routine System Maintenance .....	13
Periodic System Maintenance.....	13
How to Change the Filters.....	14
RainSoft Replacement Part Numbers .....	14
Exploded View and Parts List .....	15-16
Troubleshooting Guide .....	18
Performance Data Sheet .....	19-21
Warranty Information .....	22
Installer Specification Sheet .....	23

# Product Information

Your RainSoft Ultrefiner II system provides several stages of treatment to provide you with the best possible drinking water.

The components of the system are:

## Pre-Filter

The pre-filter is a combination carbon/sediment filter. It removes most suspended solids 10 microns or larger in size and also reduces incoming chlorine levels.

## Ultrefiner II Membrane Cartridge

The membrane cartridge consists of a semi-permeable membrane wound in a spiral to fit a large membrane area into a compact diameter. This membrane filters on a molecular level and reduces dissolved inorganic solids in the water such as lead, chromium and copper. It will also reduce cysts, such as cryptosporidium, which have been known to cause outbreaks of gastrointestinal illness. Since the filtration process is so fine, the system continuously flushes water across the surface of the membrane while producing drinking water. The incoming water stream is split, with some water passing through the membrane as treated water while the water that flushes the membrane to keep it clean flows to the drain.

## Air Pressured Storage Tank

Since the water passes through the membrane too slowly to satisfy your instantaneous demand for water, the system includes a storage tank. This storage tank contains a rubber bladder and is similar to the tank on a well system, but smaller. Water passing through the membrane (“permeate”) is sent to one side of the bladder, while the other side is pressurized with air (about 8 psi when empty of water). As the tank fills with water, the air is compressed, providing the pressure needed to dispense the water when your drinking water faucet is opened. A hydraulic shutoff valve built into the filter housing assembly automatically turns off flow through the system when the tank is full, and turns the water back on as the tank is emptied.

## Post-Filter

When the water leaves the storage tank on its way to the faucet, it passes through a carbon block post-filter. This filter is specially formulated to reduce volatile organic compounds (i.e. VOC’s); see the performance data sheet for the specific VOC’s this system is rated to reduce. VOCs include compounds such as benzene, lindane, and trihalomethanes. The post-filter also serves as a “polishing filter,” the final step in removing any tastes or odors.

Putting it all together, your RainSoft Ultrefiner II system gives you multiple lines of defense to protect the drinking water your family relies on.

Figure 1

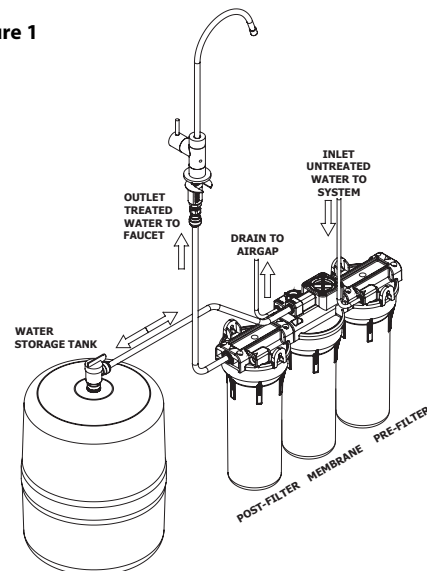
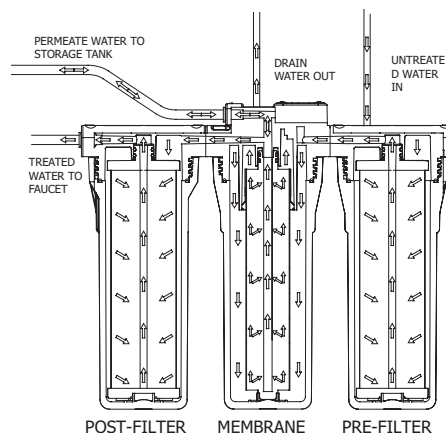
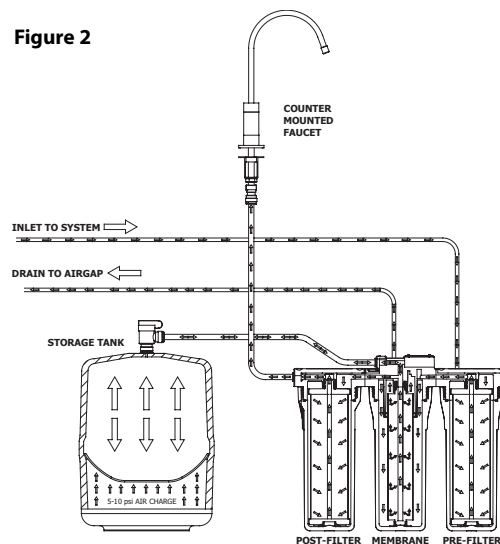


Figure 2



## Product Certification Information

Models ULTREFINER II-FMV-BNFP, ULTREFINER II-FMV-BNFV, ULTREFINER II-FMV-CHFP and ULTREFINER II-FMV-CHFV conform to NSF/ANSI 58 for the specific performance claims as verified and substantiated by test data. See performance data sheets for specific reduction claims.

Models ULTREFINER II-FMV-BNFP, ULTREFINER II-FMV-BNFV, ULTREFINER II-FMV-CHFP and ULTREFINER II-FMV-CHFV conform to NSF/ANSI 53 for VOC reduction. See performance data sheets for individual contaminant and reduction performance.

**CALIFORNIA RESIDENTS:** Water treatment devices sold to retail consumers in California, accompanied by certain health claims, must be certified by the State of California Department of Public Health. The product accompanied by this manual is not certified in the State of California for the purpose of making health claims. Please ask your dealer about California certified models.

**! Important Note: This Ultrefiner II System contains replaceable treatment components, critical for the effective reduction of total dissolved solids (TDS). The product water should be tested periodically to verify that the system is performing properly. See your local RainSoft Dealer for details.**

## Components Requiring Periodic Replacement

### Pre-filter

The pre-filter reduces chlorine and removes most particles and sediment as small as 10 microns in size from the water supply. The pre-filter requires periodic replacement every 12 months after installation. Your water quality and water usage may affect this replacement schedule. Please refer to the chart on page 14 for replacement part numbers.

### Ultrefiner II Membrane Cartridge

The Ultrefiner II membrane cartridge is a spiral wound, semi-permeable membrane that requires periodic replacement approximately every 24 to 36 months after installation. Your water quality and water usage may affect this replacement schedule. A water test for TDS reduction is the best indicator of membrane performance. Please refer to the chart on page 14 for replacement part numbers.

### Post-filter

The post-filter will remove unwanted tastes and odors from the water. The post-filter requires periodic replacement every 12 months after installation to maintain VOC reduction. Your water quality and water usage may affect this replacement schedule. Please refer to the chart on page 14 for replacement part numbers.

# Operational Specifications

## Working Pressure

40 psi – 100 psi (275 kPa – 689 kPa)

## Operating Temperatures

50°F – 100°F (10°C – 38°C)

## pH Range

2 – 11

## Maximum TDS Level

1400 parts per million (PPM)

## Maximum Turbidity Influent Level

11 NTU (nephelometric turbidity units)

## Maximum Hardness Level

5 grains per gallon (85ppm)

## Capacity for VOC Reduction

225 gallons (850 liters)

## Approximate Flow Rate @ 60psi:

0.94 gpm

## Data Chart

Model	Faucet Model	Daily Production Rates	Efficiency Rating*	Recovery Rating*
ULTRREFINER II -FMV	BNFP	16.02 gpd / (60.64 L/day)	17.54%	37.23%
	BNFV			
	CHFP			
	CHFV			

## Additional Specifications

- The inlet water should be free from iron, manganese, and sulfur.
- This system has been tested for the treatment of water containing pentavalent arsenic (also known as AS (V), As (+5), or arsenate) at concentrations of 0.30 mg/L or less. This system reduces pentavalent arsenic, but may not remove other forms of arsenic. This system is to be used on water containing a detectable free chlorine residual or on water supplies that have been demonstrated to contain only pentavalent arsenic. Treatment with chloramine (combined chlorine) is not sufficient to ensure complete conversion of trivalent arsenic to pentavalent arsenic. Please see the Arsenic Facts section of the performance data sheets for further information.
- Do not use this product with water that is microbiologically unsafe or of unknown quality without adequate disinfection before or after the system. Systems certified for cyst reduction may be used on disinfected waters that may contain filterable cysts.
- This system must be installed in accordance with all applicable state and local laws and regulations.
- This system must be installed in an area not affected by extreme heat, cold or the elements. The selected installation area must be adequate for easy service of all parts.
- This system is designed to treat cold water only. The installation must be on a cold water supply.

### ! Important Note:

• If the hardness is greater than 5 grains, the system will still perform properly, but the longevity of the membrane may be affected.

\* The efficiency and recovery ratings are verified by testing in accordance with NSF/ANSI Standard 58. Efficiency rating means the percentage of the influent water to the system that is available to the user as reverse osmosis treated water under operating conditions that approximate typical daily usage.

Recovery rating means the percentage of the influent water to the membrane portion of the system that is available to the user as reverse osmosis treated water when the system is operated without a storage tank or when the storage tank is bypassed.

# Items Required for Installation

## Tools:

Drill, drill bits, Screwdriver, tube cutter, adjustable wrench, Phillips Offset Screwdriver, and vinyl gloves .

## Parts not included in package:

Inlet shut off valve, PTFE Thread Sealant Tape, 1/4 inch O.D. tubing, additional 3/8 inch O.D. tubing and mounting screws.

### Important Notes:

- The tubing used for installation must be of food grade type. John Guest or Parker brand tubing is recommended for their compatibility with the fittings on your system.

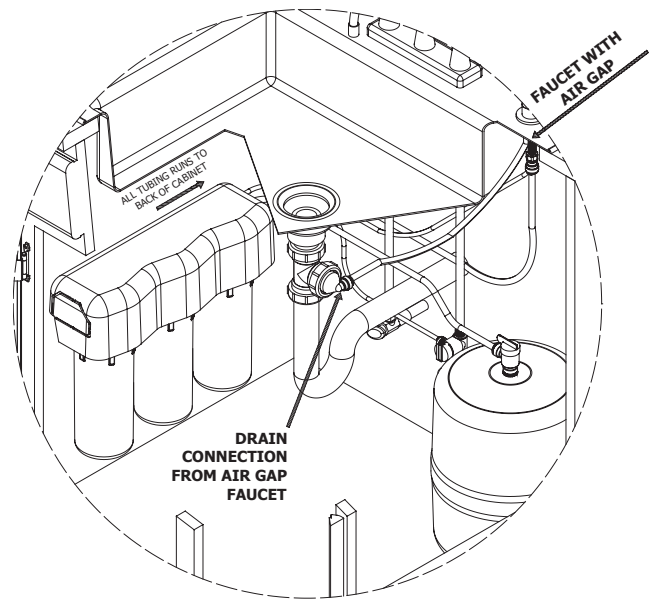
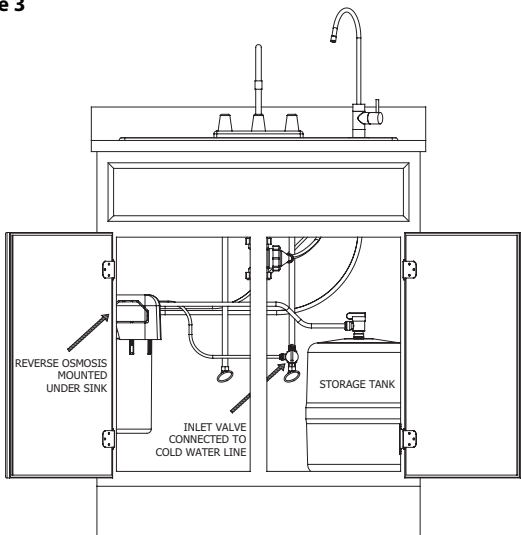
# Installation Location

For your convenience, the Ultrafiner II bracket assembly is designed to be mounted on either side of the cabinet, with the tubing ports pointing to the back.

## Kitchen Sink Installation

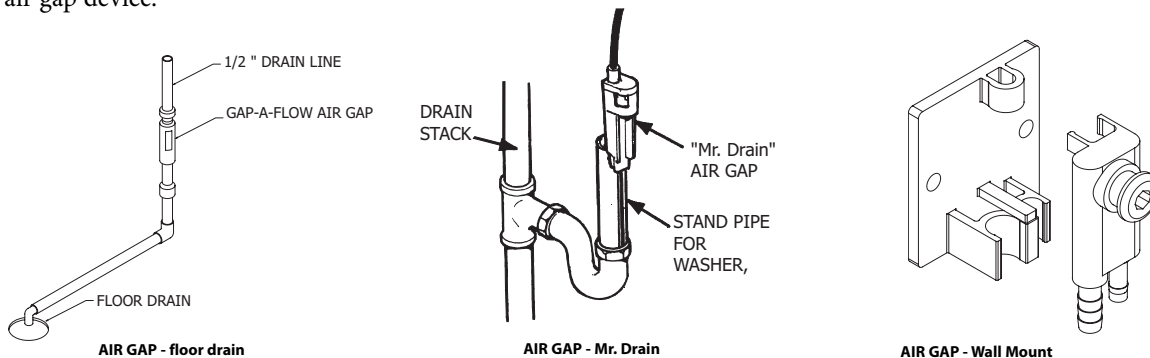
- Systems being mounted under a kitchen sink require an air gap faucet. See figure 3.

Figure 3



## Wall Mount or Other


- Systems being mounted in different location than under a kitchen sink can use a non air gap faucet with the drain line connecting to a separate air gap device.



# Installation Instructions

## 1. Install the Filters and Membrane Cartridge

- Wearing sterile gloves, remove the two filters and membrane from the sterile packaging and place them in the appropriate housings.

 **Helpful Tip:** Be careful not to contaminate the filters and membrane by touching non-sterile objects.

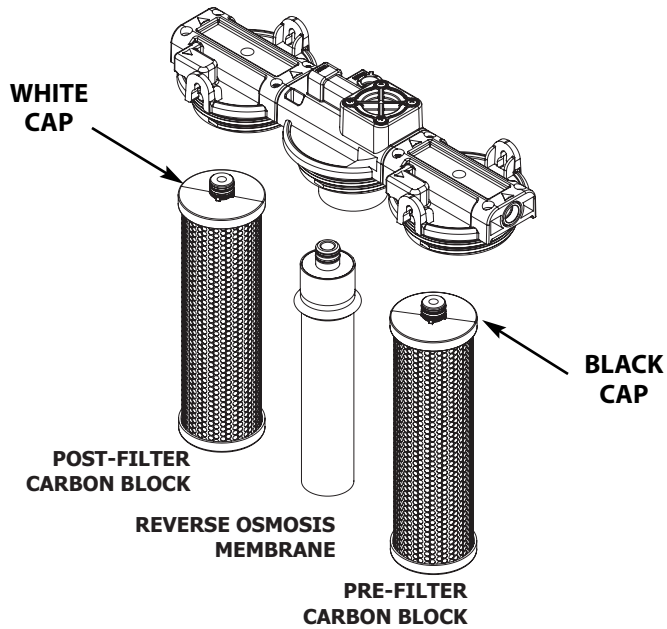
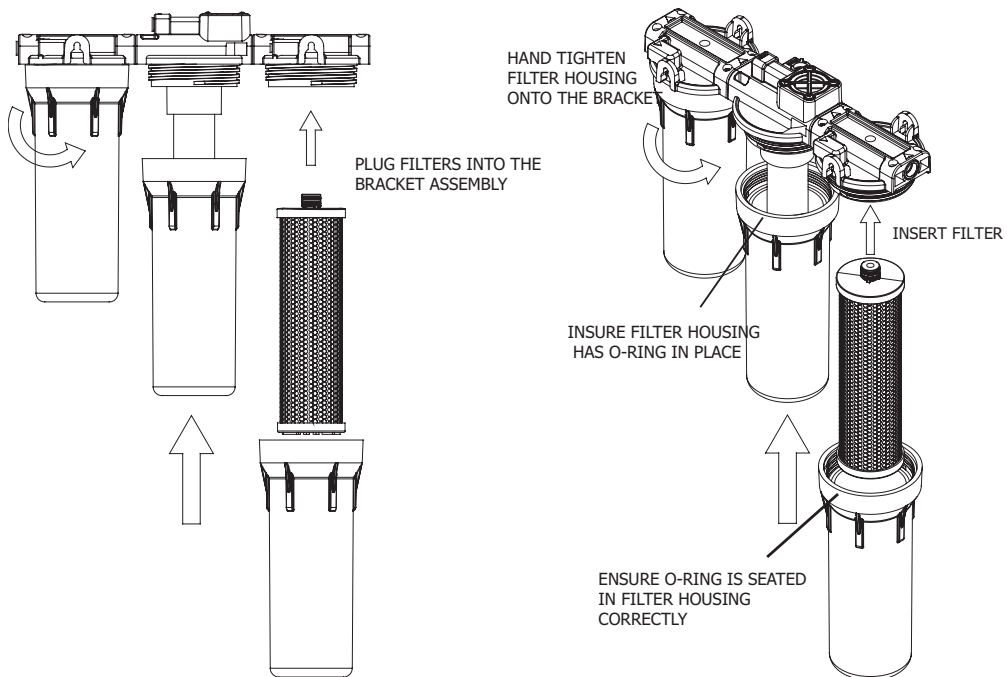


Figure 4

- Secure filter housings by hand tightening Counter Clockwise (looking from the top) to Ultrafiner II bracket (see figure 5).

Figure 5

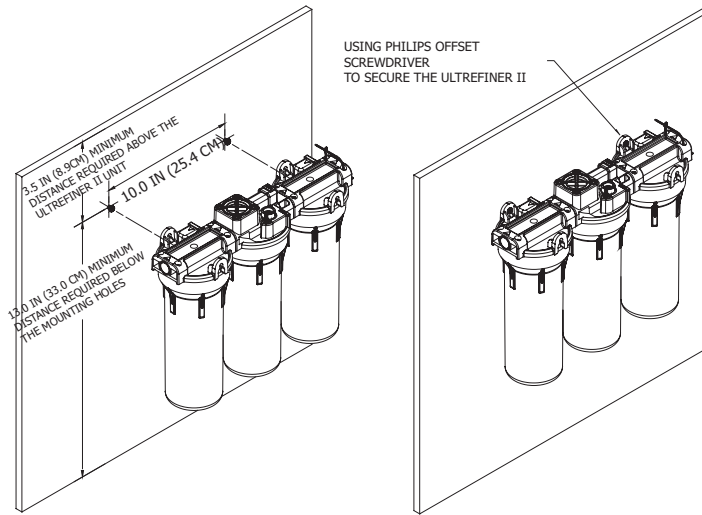


## 2. Mount the System

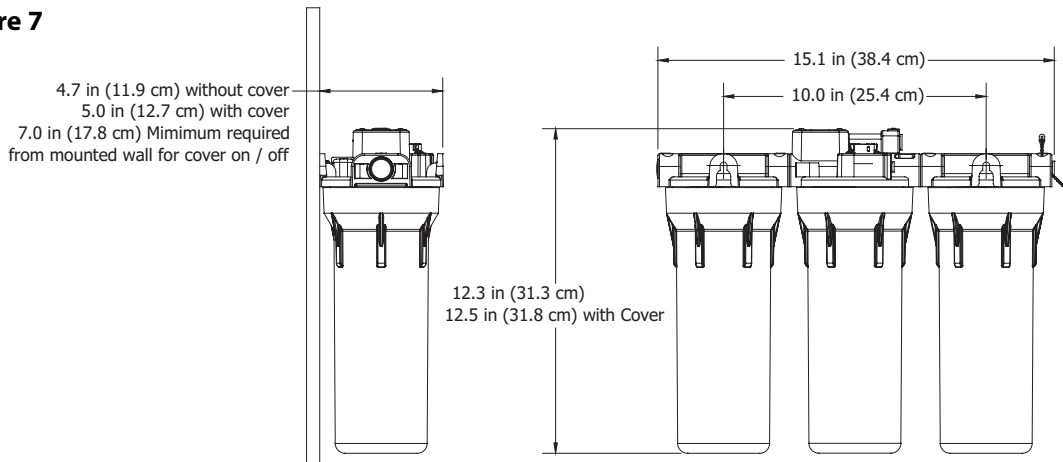
Use screws (not supplied) to secure the Ultrefiner II bracket assembly to the

**Helpful Tip:** The proper drill bit should be selected according to the type of material at the desired installation location.

**Figure 6**



**Figure 7**



## 3. Push-IN Tubing Connections:

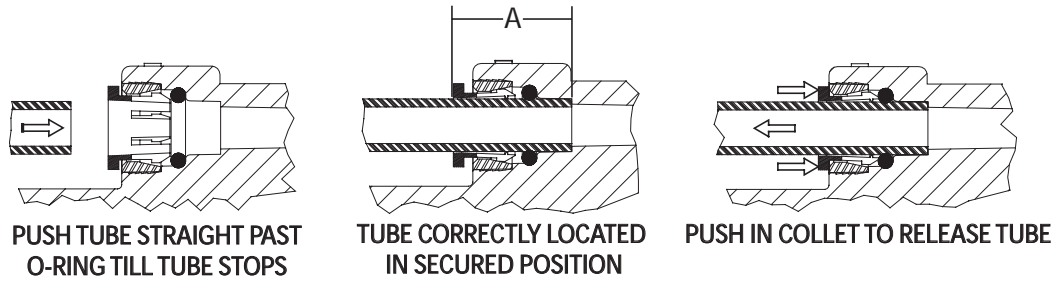
For all tubing connections on the system, follow these steps to be sure that the tube is properly installed in the fitting:

- Slightly lubricate the tube with silicone before pushing into the fitting.
- It is important that the tube be fully inserted to the proper depth. You may measure from the end of the tube & use a marker to put a line as a guide.
- See figure 8 for proper installation practice & depth on each connection.

**Important Note:** Ultrefiner II tank port and outlet port use double o-rings. If you see a leak from one of these ports, remove the tube and look into the port to see that both o-rings are properly aligned, leaving a clear path for the tubing. If one of the o-rings is moved out of position, it may block tube insertion. Please push it back into position before inserting the tube.



**Figure 8**



TUBING CONNECTION PORT	TUBE INSERTION DISTANCE(A)
UF II INLET - 1/4" TUBE	3/4"
UF II DRAIN - 1/4" TUBE	3/4"
UFII TANK - 3/8" TUBE -DOUBLE O-RING	1"
UF II OUTLET - 3/8" TUBE -DOUBLE O-RING	15/16"
STORAGE TANK JG - 3/8" TUBE	3/4"
FAUCET FITTING - 3/8" TUBE	3/4"

**4. Install the Faucet**

- Select a location for the faucet to be mounted.
- Drill a hole according to the manufacturer’s recommendations.
- Mount the faucet per instructions.
- If using faucet air gap, press drain line tubing onto faucet.
- Use 3/8 inch tubing (not supplied) to connect the faucet to the system outlet. Make sure the flow restrictor is installed in the 3/8 inch tubing (not supplied) connected to the outlet of the Ultrefiner II system.

**Helpful Tip:** To secure the connection, wet the end of the tubing and press the tubing firmly into cartridge.

**5. Install the Inlet Shut Off Valve (Not Supplied)**

- Turn off the cold water supply and open the cold water faucet to relieve any line pressure;
- Install an inlet shut off valve (not supplied) between the existing shut off valve and the kitchen faucet, in a way that conforms to state and local plumbing codes;
- Use 1/4 inch tubing (not supplied) to connect the inlet shut off valve to the system inlet.

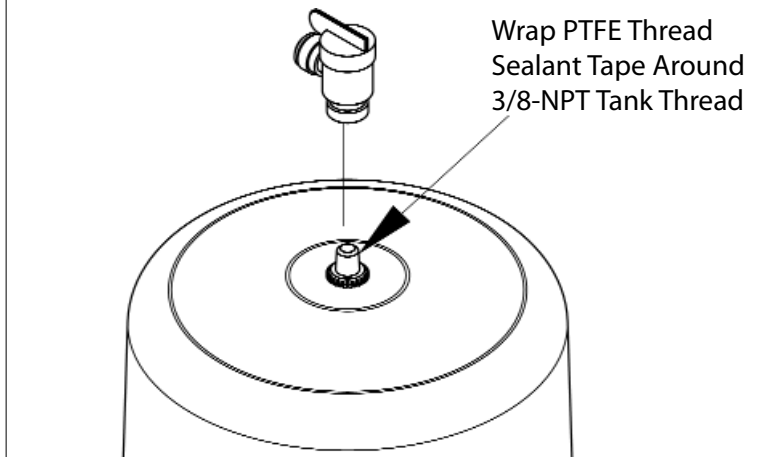
**Important Note:** The inlet shut off valve must have a 1/4 inch tube connection.

**6. Install the Storage Tank**

- Select a location for the storage tank. The storage tank can be installed vertically or horizontally;
- Wrap PTFE Thread Sealant Tape (not supplied) around the threads of storage tank ;
- Install the shut off valve (supplied) onto the storage tank. The shut off valve must be in the open position;
- Use the 3/8 inch x 4 foot tubing (supplied) to connect the storage tank shut off valve to the tank port on the Ultrefiner II Bracket. Additional tubing may be required pending tank location to location of Ultrefiner-II Bracket.

**Helpful Tip:** If the desired installation location is in the basement, the storage tank can be mounted in between the floor joists. The closer the storage tank is to the Ultrefiner II bracket assembly, the greater the flow of water. The storage tank can be installed vertically or horizontally.

**Figure 9**



**! Important Note: The drain connection must conform to state and local plumbing codes.**

If the system is mounted under a kitchen sink, an air gap faucet will be required. If the system is mounted in a different location, a non-air gap faucet may be used, along with a separate air gap device on the drain line.

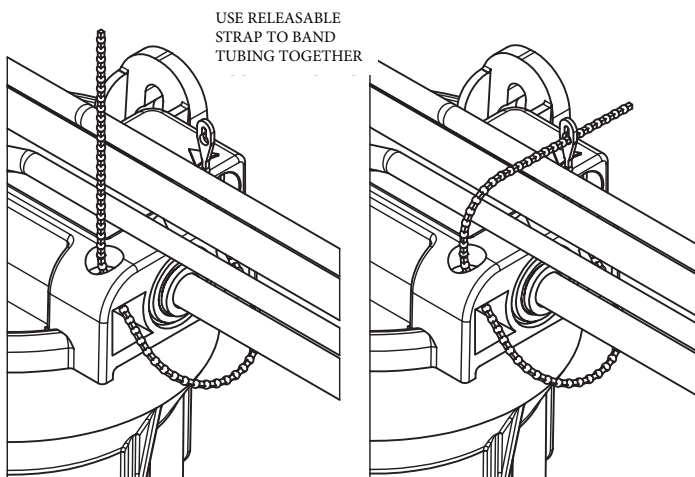
**7. Connect the Drain Outlet**

Use 1/4 inch tubing (not supplied) to connect the drain outlet to the appropriate drain connection.

**8. Secure the Connections**

Attach the red locking clips (supplied) to the connection fittings.

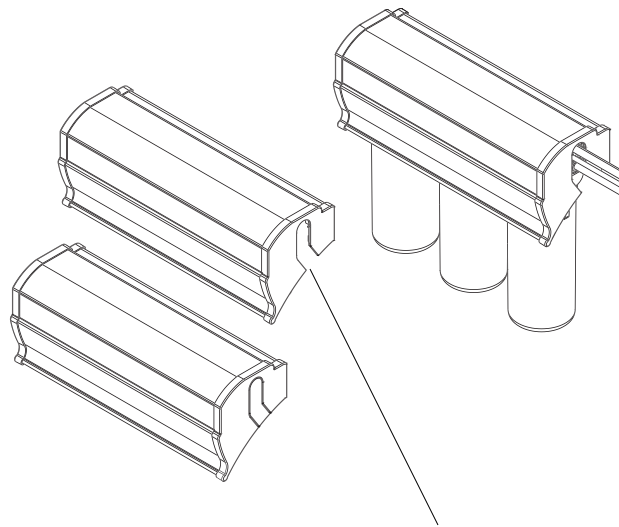
**Figure 10**



## 9. After SYSTEM START UP

Because the Ultrafiner II bracket assembly and cover are reversible, the cover is designed with removable side panels for tube routing. Choose the correct side panel to remove based on the installation.

- Remove the side panel by cutting with knife or clippers.
- Place cover onto Ultrafiner II and ensure tubing is correctly secure to the one side of the Ultrafiner II bracket assembly.



**Figure 11**

REMOVE PANEL USING KNIFE OR CLIPPERS

# System Start Up

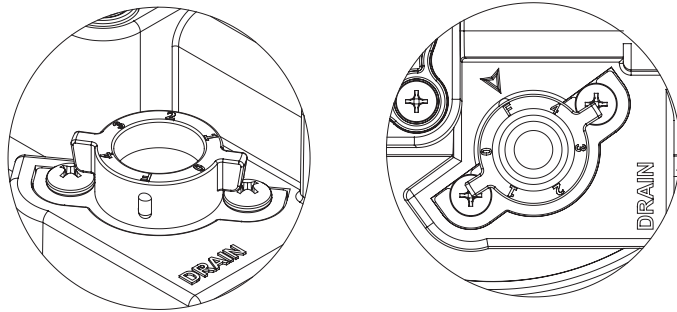
## 1. Turn on the Water Supply

Allow the system to start filling with water.

## 2. Fast Flush the System

Open the Ultrefiner II faucet and turn the drain barrel to the fast flush (“F” on the drain barrel) position (see figure 12).

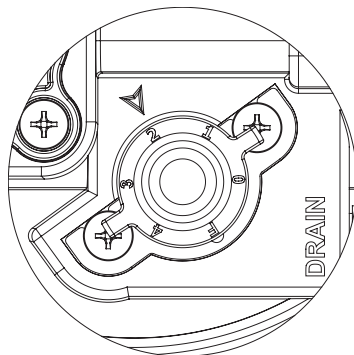
Figure 12



## 3. Reposition the Drain Barrel

Once the air has been purged from the system, position the drain barrel in #2 service position (see figure 13). The storage tank will continue to fill with water.

Figure 13



**Helpful Tips:** In both the fast flush and # 2 position, the ears of the drain barrel are aligned with the mounting screws. To make it easier to identify positions, there is a raised rib at the “F” position. (See Figure 13)

The drain barrel must always be positioned with the arrow pointing at numbers 1 – 4 or “F.” In each location, a hole of fixed size is positioned internally over the drain connection, controlling the flow rate for that setting. Do not position the drain barrel between settings, as this does not provide any fine tuning and may even block drain flow by putting an internal seal directly over the drain connection.

Position “0” shuts off drain flow. The system should never be left in position “0,” as this will cause the membrane to foul. This position is provided only as a diagnostic tool.

## 4. Check for Leaks

If a leak is present, make the necessary repairs.

## 5. Fill the System

When the water stops flowing to the drain, the system should be fully pressurized and the storage tank should be filled with water.

## 6. Drain the Storage Tank

Open the Ultrefiner II faucet and drain all the water from the storage tank.

**Important Note:** NSF certified performance data, as shown on the Performance Data Sheet, is based on operation at Drain Setting # 2. Certification results do not apply to other settings.

**Important Note:** This procedure will flush any remaining residue from the storage tank.

**Important Note:** The 24 hour flush will ensure the proper rinsing of the Ultrefiner II Membrane.

**Important Note:** It is common to experience cloudy water, cloudy or hazy ice cubes and/or air bubbles when the system is new or after the filters/cartridges have been changed. This is simply due to air trapped in the system which will soon dissipate.

**Helpful Tips:** Maintaining a fresh water supply in the storage tank will promote better operation of the membrane cartridge.

When you go on vacation, close the cold water inlet valve. When you return from vacation, open the cold water inlet valve, drain the storage tank and fast flush the system.

## 7. Complete the Installation

- If a 24 hour-flush pre-installation is not performed by your local dealer, it is important to open the faucet and let the system run to drain for 24 hours first.
- After the 24 hour water flush , close the Ultrefiner II faucet and allow the storage tank to fill with water. When the storage tank is full, the system will be ready for operation.

## Routine System Maintenance

If the incoming water to your Ultrefiner II system is very poor (for example: high hardness, high dissolved solids, high iron), you can help maintain the system's operation by periodically performing this flushing procedure:

### Drain Your Storage Tank

Open the Ultrefiner II faucet and let the water run until the flow turns into small drips. Close the Ultrefiner II faucet. The Drain flow will continue to run until your tank has been refilled.

### Flush the Membrane And Drain Line

While refilling your storage tank, turn the Drain Dial to the F position. (See Figure 12 on Page 11.) This will increase the volume of drain water flushing through the membrane. Once your tank has refilled (typically 2 -3 hours), the Drain flow will shut off. You should then turn the Drain Dial back to its previous setting.

**! Important Notes: Nitrate reduction units are acceptable for treatment of influent concentrations of no more than 27 ppm nitrate and 3 ppm nitrite in combination (measures as "N") and are certified for nitrate/nitrite reduction only for water supplies with a pressure of 40 psi or greater.**

## Periodic System Maintenance and Testing of Your Water

### Nitrate Reduction

If you are relying on this system for nitrate reduction, we recommend testing your water periodically (2 times a year minimum) with a nitrate test kit (supplied) to ensure that the system is performing properly. Additional nitrate test kits (part number 12061) can be purchased from your local RainSoft Dealer.

### VOC Reduction

If you are relying on this system for VOC reduction, we recommend testing your water periodically (2 times a year minimum) to ensure that the system is performing properly. Your local RainSoft Dealer can arrange this testing for a nominal fee.

### Cyst Reduction

If you are relying on this system for cyst reduction, we recommend testing your water periodically (2 times a year minimum) to ensure that the system is performing properly. Your local RainSoft Dealer can arrange this testing for a nominal fee.

### Other Health Reduction Claims

If you are relying on this system for any other health claims, please refer to the performance data sheets on pages 17 thru 19. See your local RainSoft Dealer for additional information.

## How to Change the Filters

1. Turn off the cold water supply to the Ultrefiner II system.
2. Close the storage tank shut-off valve and then open the Ultrefiner II faucet.
3. Place a drip pan or bucket if necessary to catch the water from the filter canisters to prevent spillage.
4. To replace the filters, use a Slim Line Spanner Wrench (not supplied) to unscrew the filter housings from the cap (see figures 14).
5. Replace the filters and reassemble (see helpful hints).
6. Once assembled, turn the drain barrel to F position. (see figure 12 on page 11).
7. Turn on the inlet water to the Ultrefiner II system.
8. Open the storage tank valve and Ultrefiner II faucet. Allow the water system to flush for 15 minutes.
9. Turn the Drain Barrel back to predetermined number setting and turn off the faucet and allow a minimum of 2 hours for the tank to fill up. If you have replaced the membrane, please open the faucet after 2 hours to drain the first tank of water. This will properly flush the membrane.

**Important Note:** When Unscrewing Filter Housings use of Slim Line Spanner Wrench is required. Unscrewing filter housings with use of other unapproved tools can damage the filter housings and void warranty.

**Important Note:** It is recommended that the sump o-rings be replaced on each filter change to insure proper compression of the o-ring, failure to do so may result in over tightening of the sump to create a seal and can cause undue stress on the sump and cap that can lead to cracking of these components under pressure.

**Helpful Tips:** To avoid contamination, we recommend the use of sterile gloves while changing the system components.

When changing the membrane cartridge, verify that the rubber brine seal and O-rings are secure and in place. Always lubricate the o-rings with a NON-PETROLEUM based lubricant to ensure the longevity of the o-rings. Never over-tighten the housing to the cap – **HAND TIGHT ONLY!**

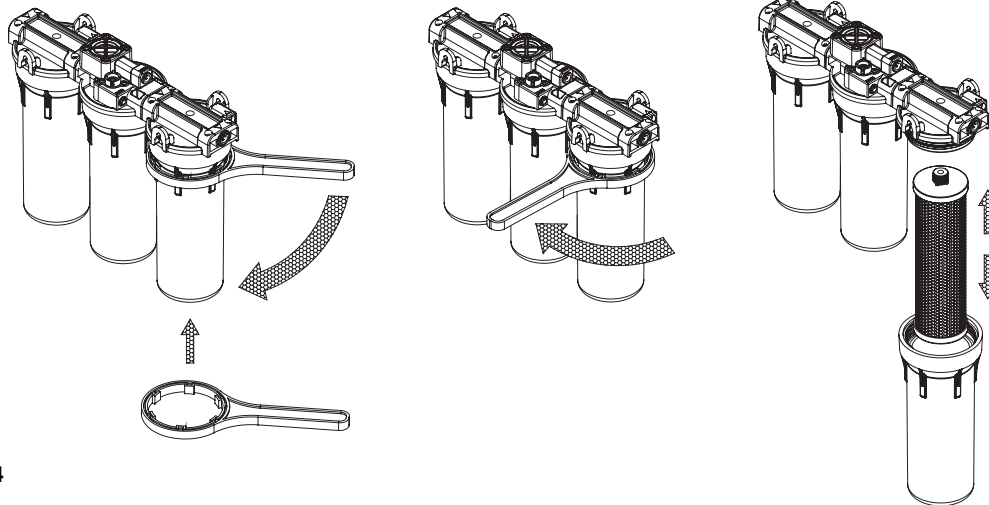


Figure 14

## RainSoft Filter and Membrane Replacements

The following RainSoft replacement parts are available through your local RainSoft Dealer:

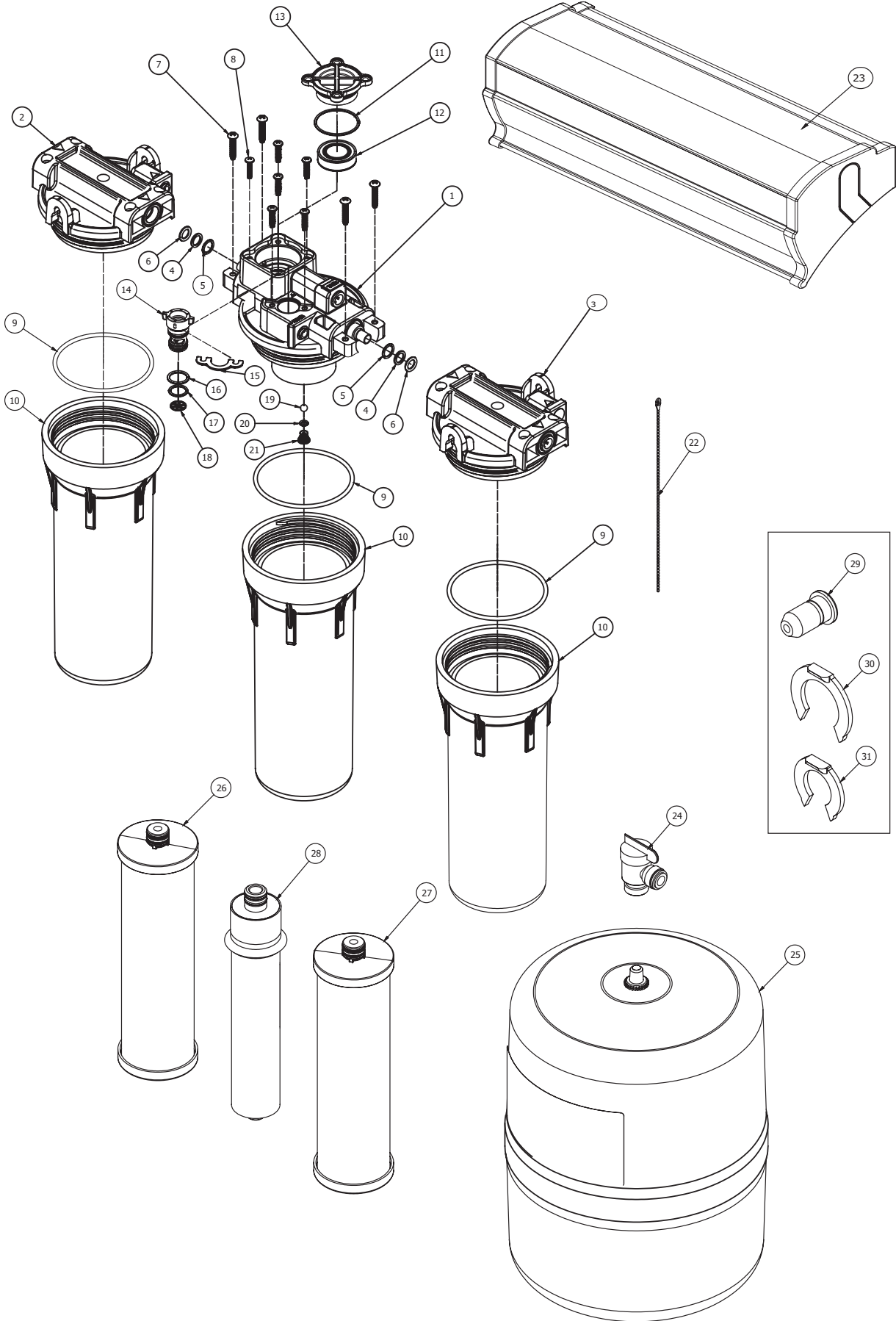
If you are unable to order replacement parts from your local RainSoft Dealer, please contact RainSoft at 1-800-860-7638 for assistance.

Model	Pre-filter	Membrane Cartridge	Post-filter
ULTREFINER II-FMV	51635	51637	51636

**Important Note:** It is important to maintain the quality of your system by using only genuine RainSoft replacement filters and cartridges. Other "made-to-fit" alternative filters and cartridges claim to perform the same duties as the original RainSoft parts, but these items are not approved for use in your system! "Made-to-fit" alternative filters and cartridges will increase the probability of leaks, putting your entire system at risk! Also, many aftermarket replacement filters are not tested for safe contact with drinking water.

When "made-to-fit" alternative filters and cartridges are placed into your RainSoft Ultrefiner II Premium Drinking Water System, the product warranty will become null and void and the system will lose its NSF certification. To guarantee proper operation and certification of your RainSoft Ultrefiner II Premium Drinking Water System, please use genuine RainSoft parts.

# Ultrefiner II System Exploded View and Parts List

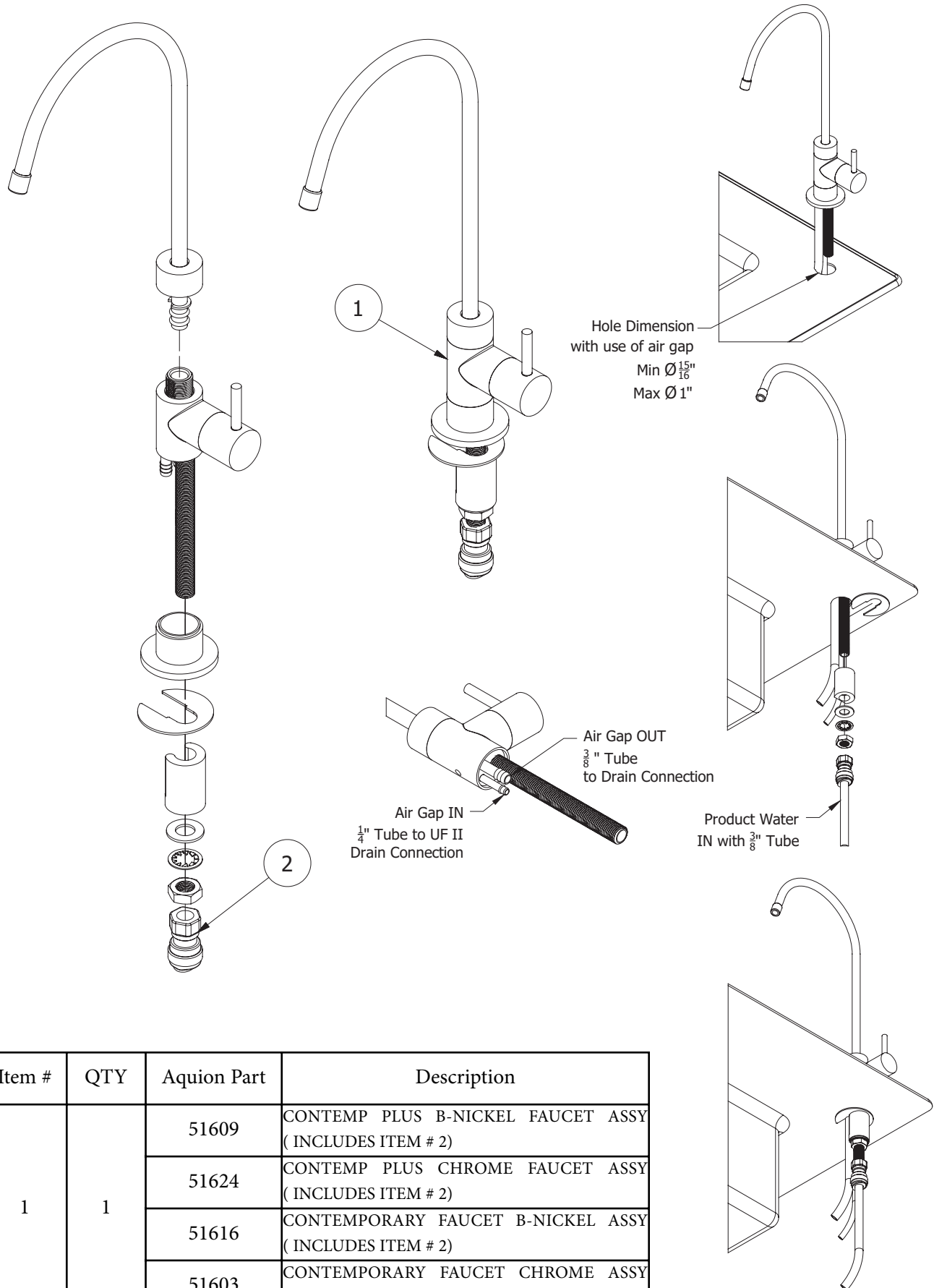


## Parts List

Item #	PART #	Quantity	Description
1	51570	1	UF II UNIBODY 1/4 DRAIN & 3/8 TANK ASSEMBLY
2	51571	1	UF II SUMP CAP 1/4 INLET PRE ASSEMBLY
3	51572	1	UF II SUMP CAP 3/8 OUTLET POST ASSEMBLY
4	51561	2	UF II WASHER UNIBODY
5	19914	2	O-RING -013
6	19621	2	3/8 O-RING
7	71497	4	SCREW #10-16 x 1in (15-222)
8	51567	6	SCREW 8-16 X 3/4 SS PAN HEAD
9	12994	3	237 O-RING -9516
10	51605	3	UF II SUMP, SLIM LINE GRAY SPECKLES
11	12632	1	029 O-RING
12	17360	1	UNIBODY DRAIN SHUT OFF CARTRIDGE
13	19899	1	UF II SHUT-OFF CAP
14	19897	1	UF II DRAIN BARREL
15	10102	1	DRAIN VALVE RETAINER
16	51630	1	O-RING 2MM X 16MM EPR 70 D
17	17958	1	015 O-RING
18	19898	1	UF II DRAIN BARREL FACE SEAL
19	71961	1	RESTRICTOR BALL
20	51562	1	O-RING 008
21	51560	1	UF II CHECK BALL PLUG
22*	51631	1	BEADED TIE RELEASEABLE BLACK
23	51741	1	UF II COVER 3 UP ASSEMBLY SILVER
24	17034	1	3/8 TUBE x 1/4" NPT BALL VALVE
25	51640	1	UF II STORAGE TANK ASSEMBLY
26	51635	1	REPLACEMENT UF II PRE CARBON FILTER / BLACK
27	51636	1	REPLACEMENT UF II POST CARBON FILTER VOC / WHITE
28	51637	1	REPLACEMENT UF II 50 GPD MEMBRANE
29 *	51614	1	UF II 1.0 GPM FLOW CONTROL
30 *	19005	3	LOCKING CLIP 3/8in
31 *	19006	2	LOCKING CLIP 1/4in

\* You can find item #22, 29, 30 and 31 in the warranty package.





Item #	QTY	Aquion Part	Description
1	1	51609	CONTEMP PLUS B-NICKEL FAUCET ASSY (INCLUDES ITEM # 2)
		51624	CONTEMP PLUS CHROME FAUCET ASSY (INCLUDES ITEM # 2)
		51616	CONTEMPORARY FAUCET B-NICKEL ASSY (INCLUDES ITEM # 2)
		51603	CONTEMPORARY FAUCET CHROME ASSY (INCLUDES ITEM # 2)
2	1	51617	FAUCET FITTING 3/8 X 7/16-24 UNS O-RING *

## Troubleshooting Guide

Symptom	Cause	Solution
<b>No Water Running from Outlet</b>	1. Water Supply Is Turned Off.	1. Turn on the Water.
	2. Water Supply Is Blocked	2. Clear Blockage. If this does not work Blockage could be internal to the Ultrefiner II or external with the water line. Contact your Rainsoft Dealer for issues with the Ultrefiner II.
	3. Membrane cartridge is Fouled	3. Replace Membrane - Contact your Rainsoft Dealer for New Membrane.
	4. Incoming water line is crimped or pinched off.	4. Check incoming line and verify no crimps in line. Remove any pinch points.
<b>Extremely low Water pressure from outlet or faucet.</b>	1. Storage Tank is not collecting water.	1. Ensure Storage Tank Ball Valve is turned to the Open position.
	2. Water Line from Storage tank or from Outlet to Faucet is crimped.	2. Remove Crimp from line and verify no line damage.
	3. Storage Tank air pressure has leaked or has lost pressure.	3. Recharge Air Valve using Bike pump to 8 psi. If water pressure is restored, contact Rainsoft Dealer to explain issue. New Storage tank may be required.
	4. Water passage inside Ultrefiner II Unit has blockage.	4. Contact your Rainsoft Dealer for required service.
<b>Drain Water not shutting off after 2 to 3 hours of running.</b>	1. Faucet or other connection on system outlet (such as ice maker) is not shut off and is not allowing enough back pressure to shut off the diaphragm .	1. Ensure all outlet connections are closed completely.
	2. Drain shutoff cartridge has failed.	2. Contact your Rainsoft Dealer for required service.
	3. Check Ball is leaking.	3. Contact your Rainsoft Dealer for required service.

If the troubleshooting guide did not resolve the symptom, please contact your local RainSoft Dealer for service. If you cannot locate your local RainSoft Dealer, please contact RainSoft Customer Service at 1-800-860-7638 or log onto [www.rainsoft.com](http://www.rainsoft.com) for the name and location of your nearest Dealer.

## Ultrefiner II - FMV

### PREMIUM DRINKING WATER SYSTEM

- AUTOMATIC DRAIN SHUT-OFF VALVE
- MANUAL FAST FLUSH VALVE
- DAILY PRODUCTION RATE = 16.02 GPD
- EFFICIENCY RATING<sup>3</sup> = 17.54%
- RECOVERY RATING<sup>4</sup> = 37.23%
- MAX TDS LEVEL (PPM) = 1400
- CAPACITY FOR VOC REDUCTION: 225 GALLONS
- OPERATING PSI OF SUPPLY: 40 - 100 PSI (275 - 689 kPa)
- OPERATING TEMPERATURE: 50 - 100°F (10 - 38°C)

• pH RANGE: 2 - 11

• REPLACEMENT FILTERS:

DESCRIPTION	ITEM#
PRE FILTER	51635
MEMBRANE	51637
POST VOC FILTER	51636

This system has been tested according to NSF/ANSI 58 for reduction of the substances listed below. The concentration of the indicated substances in water entering the system was reduced to a concentration less than or equal to the permissible limit for water leaving the system, as specified in NSF/ANSI 58.

THE UNIT SHOULD BE INSTALLED IN AN AREA NOT AFFECTED BY EXTREME HEAT, COLD, OR THE ELEMENTS. THIS SYSTEM MUST BE INSTALLED IN ACCORDANCE WITH ALL APPLICABLE STATE AND LOCAL LAWS AND REGULATIONS.

LIST OF contaminant				
CONTAMINANT	AVERAGE INFLUENT CONCENTRATION (mg/L)	AVERAGE EFFLUENT CONCENTRATION (mg/L)	AVERAGE PERCENT REDUCTION	MAXIMUM EFFLUENT CONCENTRATION (mg/L)
ARSENIC <sup>1</sup>	0.29	0.002	99.3	0.003
BARIUM	9.5	0.14	98.5	0.35
CADMIUM	0.031	0.0006	98.1	0.0011
CHROMIUM (HEXAVALENT)	0.3	0.007	97.7	0.013
CHROMIUM (TRIVALENT)	0.31	0.003	99.0	0.006
COPPER	3.0	0.038	98.7	0.069
CYST	26000	5	>99.99	21
FLUORIDE	8.6	0.39	95.5	0.51
LEAD	0.16	0.003	98.1	0.019
NITRATE/NITRITE <sup>2</sup>	32	4.2	87	5.2
RADIUM 226/228	25 pCi/L	5 pCi/L	80	5 pCi/L
SELENIUM	0.1	<0.006	>94.0	<0.006
TDS	750	27	96.4	86
TURBIDITY	11 NTU	0.08 NTU	99.3	0.26 NTU

NSF/ANSI STANDARD 58 TEST CONDITION: 50 ± 3 psi, pH 7.5 ± 0.5, 77 ± 2 °F

DO NOT USE WITH WATER THAT IS MICROBIOLOGICALLY UNSAFE OR OF UNKNOWN QUALITY WITHOUT ADEQUATE DISINFECTION BEFORE OR AFTER THE SYSTEM. SYSTEMS CERTIFIED FOR CYST REDUCTION MAY BE USED ON DISINFECTED WATER THAT MAY CONTAIN FILTERABLE CYSTS. THE SYSTEM CONTAINS REPLACEMENT COMPONENTS CRITICAL FOR EFFECTIVE REDUCTION OF contaminant. THE WATER SHOULD BE TESTED PERIODICALLY (2 TIMES A YEAR MINIMUM) TO VERIFY THAT THE SYSTEM IS PERFORMING SATISFACTORILY.

REPLACE ULTREFINER II - FMV MEMBRANE CARTRIDGE 24 TO 36 MONTHS AFTER INSTALLATION, DEPENDING ON WATER CONDITIONS. A WATER TEST FOR TDS REDUCTION IS THE BEST INDICATOR OF MEMBRANE PERFORMANCE. REPLACE THE PREFILTER AND POST FILTER CARTRIDGES 12 MONTHS AFTER INSTALLATION OR SOONER DEPENDING ON WATER CONDITIONS.

THE INLET FEED WATER SHOULD BE FREE FROM IRON, MANGANESE, SULFUR.

NSF CERTIFIED PERFORMANCE DATA, AS SHOWN ON THE PERFORMANCE DATA SHEET, IS BASED ON OPERATION AT DRAIN SETTING # 2. CERTIFICATION RESULTS DO NOT APPLY TO OTHER SETTINGS.

SEE WARRANTY CARD FOR SPECIFIC WARRANTY INFORMATION

**NOT APPROVED FOR USE IN CALIFORNIA. PLEASE REQUEST CALIFORNIA-SPECIFIC LITERATURE FROM YOUR LOCAL RAIN-SOFT DEALER.**

**IMPORTANT NOTICE:**

READ THIS PERFORMANCE DATA SHEET AND COMPARE THE CAPABILITIES OF THIS UNIT WITH YOUR ACTUAL WATER TREATMENT NEEDS. IT IS RECOMMENDED THAT BEFORE PURCHASING A WATER TREATMENT UNIT, YOU HAVE YOUR WATER SUPPLY TESTED TO DETERMINE YOUR ACTUAL WATER TREATMENT NEEDS.



Model ULTREFINER II - FMV - BNFP, ULTREFINER II - FMV - BNFV, ULTREFINER II - FMV - CHFP and ULTREFINER II - FMV - CHFV are tested and certified by NSF International against NSF/ANSI 58 for the reduction of claims specified on the performance data sheet.

## Ultrefiner II - FMV PREMIUM DRINKING WATER SYSTEM

**VOC, Standard 53 Reduction Claims <sup>5</sup>**

CONTAMINANT	INFLUENT CHALLENGE CONCENTRATION mg/L	MAXIMUM PERMISSIBLE PRODUCT WATER CONCENTRATION mg/L	USEPA MCL (MG/L)
ALACHLOR	0.050	0.001	0.002
ATRAZINE	0.100	0.003	0.003
BENZENE	0.081	0.001	0.005
CARBOFURAN	0.190	0.001	0.04
CARBON TETRACHLORIDE	0.078	0.0018	0.005
CHLOROBENZENE	0.077	0.001	0.1
CHLOROPICRIN	0.015	0.0002	-----
2,4-D	0.110	0.0017	0.07
DIBROMOCHLOROPROPANE (DBCP)	0.052	0.00002	0.0002
O-DICHLOROBENZENE	0.080	0.001	0.60
P-DICHLOROBENZENE	0.040	0.001	0.075
1,2-DICHLOROETHANE	0.088	0.0048	0.005
1,1-DICHLOROETHYLENE	0.083	0.001	0.007
CIS- 1,2-DICHLOROETHYLENE	0.170	0.0005	0.07
TRANS- 1,2-DICHLOROETHYLENE	0.086	0.001	0.10
1,2-DICHLOROPROPANE	0.080	0.001	0.005
CIS-1,3-DICHLOROPROPYLENE	0.079	0.001	-----
DINOSEB	0.170	0.0002	0.007
ENDRIN	0.053	0.00059	0.002
ETHYLBENZENE	0.088	0.001	0.70
ETHYLENE DIBROMIDE (EDB)	0.044	0.00002	0.00005
HALOACETONITRILES (HAN):			
BROMOCHLOROACETONITRILE	0.022	0.0005	-----
DIBROMOACETONITRILE	0.024	0.0006	-----
DICHLOROACETONITRILE	0.0096	0.0002	-----
TRICHLOROACETONITRILE	0.015	0.0003	-----
HALOKETONES (HK):			
1,1-DICHLORO-2-PROPANONE	0.0072	0.0001	-----
1,1,1-TRICHLORO-2-PROPANE	0.0082	0.0003	-----
HEPTACHLOR	0.025	0.00001	0.0004
HEPTACHLOR EPOXIDE	0.011	0.0002	0.0002
HEXACHLOROBUTADIENE	0.044	0.001	-----
HEXACHLOROCYCLOPENTADIENE	0.060	0.000002	0.05
LINDANE	0.055	0.00001	0.0002
METHOXYCHLOR	0.050	0.0001	0.04
PENTACHLOROPHENOL	0.096	0.001	0.001
SIMAZINE	0.120	0.004	0.004
STYRENE	0.150	0.0005	0.10
1,1,2,2-TETRACHLOROETHANE	0.081	0.001	-----
TETRACHLOROETHYLENE	0.081	0.001	0.005
TOLUENE	0.078	0.001	1.00
TRIBROMOACETIC ACID	0.042	0.001	-----
2,4,5-TP (SILVEX)	0.270	0.0016	0.05
1,2,4-TRICHLOROBENZENE	0.160	0.0005	0.07
1,1,1-TRICHLOROETHANE	0.084	0.0046	0.20
1,1,2-TRICHLOROETHANE	0.150	0.0005	0.005
TRICHLOROETHYLENE	0.180	0.001	0.005
TRIHALOMETHANES	0.300	0.015	0.08
XYLENES (TOTAL)	0.070	0.001	10

NSF/ANSI STANDARD 53 TEST CONDITION: 60 ± 3 psi, pH 7.5 ± 0.5, 68 ± 5 °F

1. THESE SYSTEMS HAVE BEEN TESTED FOR THE TREATMENT OF WATER CONTAINING PENTAVALENT ARSENIC (ALSO KNOWN AS As(V), As(+5), OR ARSENATE) AT CONCENTRATIONS OF 0.30 mg/L OR LESS. THIS SYSTEM REDUCED PENTAVALENT ARSENIC, BUT MAY NOT REMOVE OTHER FORMS OF ARSENIC. THIS SYSTEM IS TO BE USED ON WATER SUPPLIES CONTAINING A DETECTABLE FREE CHLORINE RESIDUAL AT THE SYSTEM INLET OR ON WATER SUPPLIES THAT HAVE BEEN DEMONSTRATED TO CONTAIN ONLY PENTAVALENT ARSENIC. TREATMENT WITH CHLORAMINE (COMBINED CHLORINE) IS NOT SUFFICIENT TO ENSURE COMPLETE CONVERSION OF TRIVALENT ARSENIC TO PENTAVALENT ARSENIC. PLEASE SEE THE ARSENIC FACT SECTION OF THE PERFORMANCE DATA SHEET FOR FURTHER INFORMATION.

2. THE ULTREFINER II IS ACCEPTABLE FOR TREATMENT OF INFLUENT CONCENTRATIONS OF NO MORE THAN 27 mg/L NITRATE AND 3 mg/L NITRITE IN COMBINATION MEASURED AS "N" AND IS CERTIFIED FOR NITRATE/NITRITE REDUCTION ONLY FOR WATER SUPPLIES WITH A PRESSURE OF 280 kPa (40 psig) OR GREATER. ADDITIONAL TREATMENT OR INDIVIDUAL DESIGN SHALL BE REQUIRED FOR HIGHER INFLUENT LEVELS. IF YOU ARE RELYING ON THE ULTREFINER II FOR NITRATE REDUCTION, WE RECOMMEND TESTING YOUR WATER PERIODICALLY (2 TIMES A YEAR MINIMUM) WITH A NITRATE TEST KIT (SUPPLIED) TO ENSURE THAT THE SYSTEM IS PERFORMING PROPERLY. ADDITIONAL NITRATE TEST KITS (PART NUMBER 12061) CAN BE PURCHASED FROM YOUR LOCAL RAINSOFT DEALER.

3. EFFICIENCY RATING MEANS THE PERCENTAGE OF INFLUENT WATER TO THE SYSTEM THAT IS AVAILABLE TO THE USER AS REVERSE OSMOSIS TREATED WATER UNDER OPERATING CONDITIONS THAT APPROXIMATE TYPICAL DAILY USAGE.

4. RECOVERY RATING MEANS THE PERCENTAGE OF THE INFLUENT WATER TO THE MEMBRANE PORTION OF THE SYSTEM THAT IS AVAILABLE TO THE USER AS REVERSE OSMOSIS TREATED WATER WHEN THE SYSTEM IS OPERATED WITHOUT A STORAGE TANK OR WHEN THE STORAGE TANK IS BYPASSED.

5. REDUCTIONS SHOWN ARE FOR VOLATILE ORGANIC CHEMICALS/COMPOUNDS (VOC) AS PER NSF TABLES. CHLOROFORM WAS USED AS A SURROGATE FOR VOC CLAIMS REDUCTION. THE ACTUAL REDUCTION RATE OF CHLOROFORM WAS 99.7% AS TESTED BY NSF INTERNATIONAL AT 200% CAPACITY (I.E 450 GALLONS) PER NSF/ANSI 53 STANDARD.

For purchases made in the State of Iowa: This form must be signed and dated by the buyer and seller prior to the consummation of this sale. The seller for a minimum of two years should retain this form on file.

Buyer \_\_\_\_\_  
 Name \_\_\_\_\_  
 Address \_\_\_\_\_  
 City \_\_\_\_\_ State \_\_\_\_\_ Zip \_\_\_\_\_  
 Signature \_\_\_\_\_ Date \_\_\_\_\_

Seller \_\_\_\_\_  
 Name \_\_\_\_\_  
 Address \_\_\_\_\_  
 City \_\_\_\_\_ State \_\_\_\_\_ Zip \_\_\_\_\_  
 Signature \_\_\_\_\_ Date \_\_\_\_\_

## **Ultrefiner II - FMV**

### **PREMIUM DRINKING WATER SYSTEM**

#### **ARSENIC FACTS**

Arsenic (As) is a naturally occurring contaminant found in many ground waters. It generally occurs in two forms (valences or oxidation states): pentavalent arsenic (also known as As(V), As(+5), or arsenate) and trivalent arsenic (also known as As(III), As(+3), or arsenite). In natural ground water, arsenic may exist as trivalent arsenic, pentavalent arsenic or a combination of both. Although both forms of arsenic are potentially harmful to human health, trivalent arsenic is considered more harmful than pentavalent arsenic. More information about arsenic and its toxicity can be found on the U.S. Environmental Protection Agency website at <http://www.epa.gov/safewater/arsenic.html>.

**The system is designed to remove only pentavalent arsenic. These treatment systems do not provide a feature for conversion of trivalent arsenic to pentavalent arsenic. The system may remove some trivalent arsenic, however, it has not been evaluated for its ability to remove trivalent arsenic.**

Trivalent arsenic is generally more difficult to remove from drinking water than pentavalent arsenic. Trivalent arsenic can be converted to pentavalent arsenic in the presence of an effective oxidant such as free chlorine. The arsenic in water containing detectable free chlorine or that has been treated with another effective oxidant will be in the pentavalent arsenic form. Treatment with chloramine (combined chlorine) is not sufficient to ensure complete conversion of trivalent arsenic to pentavalent arsenic.

Consumers using public water supplies can contact their utility to verify whether free chlorine treatment chemicals are being used. Private water supplies and waters that do not have detectable free chlorine residuals should be analyzed to determine the form(s) of arsenic present and the potential need for oxidation of trivalent arsenic to pentavalent arsenic.

Arsenic does not generally impart color, taste, or smell to water, therefore, it can only be detected by a chemical analytical test. Public water supplies are required to monitor treated water for total arsenic (trivalent arsenic plus pentavalent arsenic) and the results are available to the public from the utility. Consumers using private water sources will need to make arrangements for testing. It is recommended the test be conducted by a certified laboratory. Your local RainSoft dealer, local health departments or environmental protection agencies can help provide a list of certified laboratories. Some laboratories may also be able to analyze specifically for (speciate) the two forms of arsenic present in a water sample if requested.

This treatment system was tested under laboratory conditions as defined in NSF/ANSI 58 Reverse Osmosis Drinking Water Treatment Systems and was found to reduce 0.29 mg/L in the test water to less than 0.010 mg/L, under standard testing conditions. Actual performance of the system may vary depending on specific water quality conditions at the consumer's installation. Following installation of this system, the consumer should have the treated water tested for total arsenic to verify arsenic reduction is being achieved and the system is functioning properly.

The pentavalent arsenic removal component of this system must be replaced at the end of its useful life of 24 to 36 months. The replacement component (P/N 51637) can be purchased from your local RainSoft dealer. It is important to maintain the quality of your system by using only genuine RainSoft replacement filters and cartridges. Other "made-to-fit" alternative filters and cartridges claim to perform the same duties as the original RainSoft parts, but these items are not approved for use in your system. "Made-to-fit" alternatives will increase the probability of leaks, putting your entire system at risk. When "made-to-fit" alternative filters and cartridges are placed into your RainSoft Ultrefiner II System, the product warranty will become null and void and the system will lose the NSF certification. To guarantee proper operation and certification of your RainSoft system, please use genuine RainSoft parts obtained from your local RainSoft dealer.

# *Limited Lifetime Warranty*

*For as long as you own the equipment*

RainSoft Division of Aquion, Inc. believing its

**ULTREFINER II PREMIUM DRINKING WATER SYSTEM** to be of exceptional quality, hereby warrants said equipment to its first purchaser at retail as follows:

**THE STORAGE TANK HOUSING, FILTER HOUSING, MEMBRANE HOUSING, CONTEMPORARY FAUCET, CONTEMPORARY PLUS FAUCET ASSY AND UNIBODY CONTROL ARE WARRANTED AGAINST DEFECTS IN MANUFACTURE FOR THE LIFETIME OF THE FIRST PURCHASER AT RETAIL.**

**THE MEMBRANE IS PRO-RATE WARRANTED AGAINST DEFECTS IN MANUFACTURE FOR 18 MONTHS (CREDIT 1/18 TH OF REPLACEMENT COST FOR EACH UNUSED MONTH).**

**THE ELECTRICAL COMPONENTS (IF APPLICABLE) ARE WARRANTED AGAINST DEFECTS IN MANUFACTURE FOR 12 MONTHS.**

**THE PRE- AND POST-FILTER SERVICE LIFE IS DEPENDENT ON SPECIFIC WATER CONDITIONS AND USAGE. REFER TO THE OWNER'S MANUAL FOR RECOMMENDED REPLACEMENT FREQUENCY.**

This warranty begins at the time the equipment is first connected for use, and is contingent upon the return of a signed owner's registration card.

This warranty does not require replacement of the entire unit. If the equipment does not perform properly, you should request service from the dealer that sold you the equipment. If you are not satisfied, you should notify our Customer Service Manager. If we are not able to arrange local servicing, you should send the defective part(s) (or, if you prefer, send the entire unit,) directly to the manufacturer, freight prepaid, with proof of purchase and a copy of this warranty. The defective part(s) (or entire unit) will either be repaired or new RainSoft part(s) furnished, for a nominal charge to cover labor, handling, packing and the increase, if any, in the retail price of the part(s) since the date of purchase. Genuine RainSoft parts must be used. Failure to use genuine RainSoft parts will void the warranty and certifications.

This warranty does not include labor charges, and does not cover installation, transportation, or any other claims or torts. Some states do not allow the exclusion or limitation of incidental or consequential damages, so parts of the above limitation or exclusion may not apply to you.

This warranty gives you specific legal rights, and you may also have other rights which vary from state to state. You also have implied warranty rights. In the event of a problem with warranty service or performance, you may be able to go to a small claims court, a State court, or a Federal District Court.

This warranty is void if equipment is not installed and operated according to instructions. It does not apply to damage caused by abuse, accident, neglect, freezing, fire, or other abnormal conditions beyond the company's control. This warranty is void on any part from which the manufacturing date has been removed or made illegible.

Benefits will be provided by various types of RainSoft equipment when installed and operated according to the manufacturer's recommendations. Operational, maintenance and replacement requirements are essential for the product to perform as advertised. All claims are based on the best available information at the time of printing. Manufacturer makes no representations as to the suitability of this equipment for a particular application. Buyer relies entirely on the dealer's recommendations in the purchase of this equipment.

Independent RainSoft dealers may include, together with your RainSoft product, a product or component that is not manufactured by RainSoft or their parent company, Aquion, Inc. Any non-RainSoft product may be covered by the manufacturer of that product, and is not covered by the RainSoft warranty. Aquion, Inc. does not warrant that your RainSoft product and the non-RainSoft product will perform properly when used together, and assume no liability therefore.

RainSoft Division of Aquion, Inc.  
2080 East Lunt Avenue  
Elk Grove Village, Illinois 60007 USA

# Installer Specification Sheet

Dealer Name: \_\_\_\_\_

Phone Number: \_\_\_\_\_

Installation Number: \_\_\_\_\_

Installation Date: \_\_\_\_\_

Model Number: \_\_\_\_\_

Serial Number: (See Label) \_\_\_\_\_

Line Pressure: \_\_\_\_\_ (psi)

Hardness: \_\_\_\_\_

Chlorine: \_\_\_\_\_

pH: \_\_\_\_\_

Inlet TDS: \_\_\_\_\_



RainSoft Division of Aquion, Inc.  
2080 East Lunt Avenue  
Elk Grove Village, Illinois 60007  
Main Switchboard: 1.847.437.9400  
Customer Service: 1.800.860.7638  
[www.rainsoft.com](http://www.rainsoft.com)



Rainsoft Division of Aquion, Inc  
2080 East Lunt Avenue  
ELK Grove Village, Illinois, 60007  
1.847.437.9400 or 1800.860.7638  
www.rainsoft.com

# Ultrrefiner II

## Sistema de Agua Potable Premium



*RainSoft®*

*Tomando la preocupación fuera del agua ... Desde 1953*



Este producto es fabricado en una instalación certificada por ISO 9001: 2008.

Los modelos Ultrrefiner II - FMV - BNFV, Ultrrefiner II - FMV - BNFV, Ultrrefiner II - FMV - CHFP y Ultrrefiner II - FMV - CHFV están probados y certificados por NSF International contra NSF/ANSI estándar 58 para las afirmaciones de reducción especificadas en la hoja de datos de rendimiento. Consultar la hoja de datos de rendimiento para las afirmaciones específicas de reducción.

No aprobado para uso en California. Por favor, solicitar manuales de usuario de productos específicos de California al proveedor RainSoft local.



**Felicitaciones** por su compra de uno de los mejores Sistemas de Agua Potable disponibles para los consumidores.

Este Manual del Usuario está diseñado para ayudarlo en el funcionamiento, manutención y instalación del sistema Ultrefiner II. Es nuestro sincero deseo que este manual sea claro, conciso y útil para usted como nuevo usuario.

¿ **Preguntas?** Si usted tiene alguna pregunta referente a la instalación, funcionamiento o servicio de este sistema, por favor, póngase en contacto con su distribuidor local RainSoft. Su distribuidor local RainSoft está familiarizado con sus condiciones de agua particulares y será capaz de abordar sus inquietudes con prontitud y eficiencia.

## Tabla de Contenidos

Información sobre el producto	27
Información sobre la certificación del producto .....	28
Componentes que requieren un reemplazo periódico .....	28
Especificaciones de operación .....	29
Elementos necesarios para la instalación .....	30
Ubicación de la instalación .....	30
Instrucciones de instalación .....	31-34
Arranque del sistema .....	35
Mantenimiento rutinario del sistema .....	36
Mantenimiento periódico del sistema .....	36
Cómo cambiar los filtros .....	37
Números de las piezas de repuesto Rainsoft.....	37
Vista despiezada y lista de piezas .....	38-39
Guía de resolución de problemas.....	41
Hoja de datos de rendimiento.....	42-44
Información sobre la garantía.....	45
Hoja técnica del instalador .....	46

## Información sobre el producto

Su sistema Rainsoft Ultrafiner II proporciona varias etapas de tratamiento para proporcionarle la mejor agua potable posible.

Los componentes del sistema son:

### Prefiltro

El prefiltro es un filtro de combinación de carbono/sedimentos. Elimina la mayoría de los sólidos suspendidos, 10 micras o mayores, y también reduce los niveles de entrada de cloro.

### Cartucho filtrante Ultrafiner II

El cartucho filtrante consiste en una membrana semipermeable arrollada en una espiral para adaptar una gran área de membrana a un diámetro compacto. Esta membrana filtra a un nivel molecular y reduce sólidos inorgánicos disueltos en el agua tales como plomo, cromo y cobre. También reducirá los quistes, tales como cryptosporidium, los cuales han sido conocidos por causar brotes de enfermedades gastrointestinales. Como el proceso de filtración es tan eficiente, el sistema envía continuamente agua a través de la superficie de la membrana, mientras que produce agua potable. La corriente de agua de entrada es dividida: una cierta cantidad de agua pasa a través de la membrana convirtiéndose en agua tratada mientras que el agua que enjagua la membrana para mantenerla limpia fluye por el desagüe.

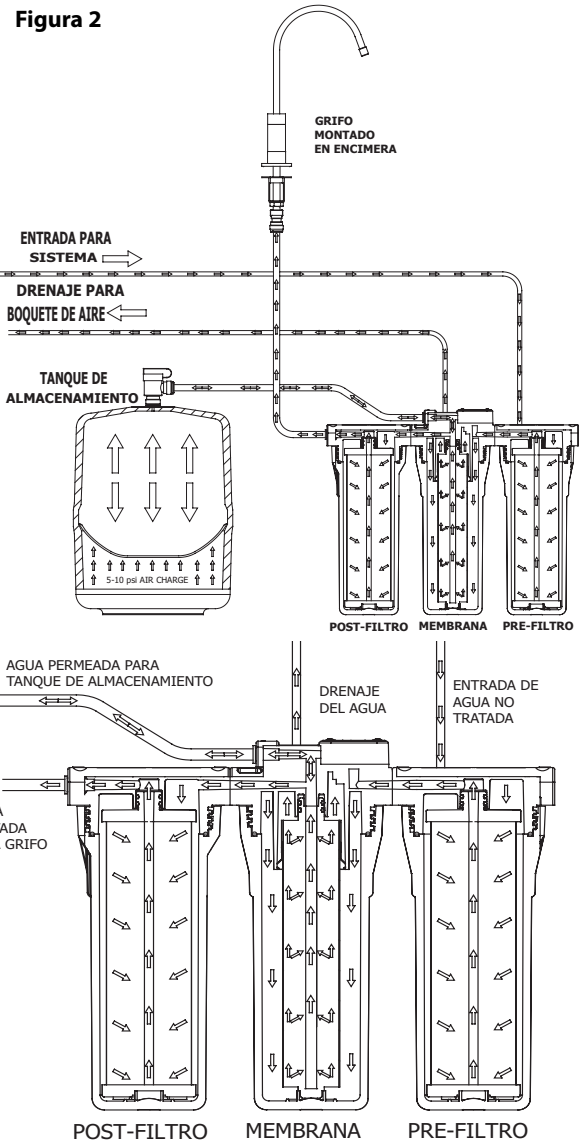
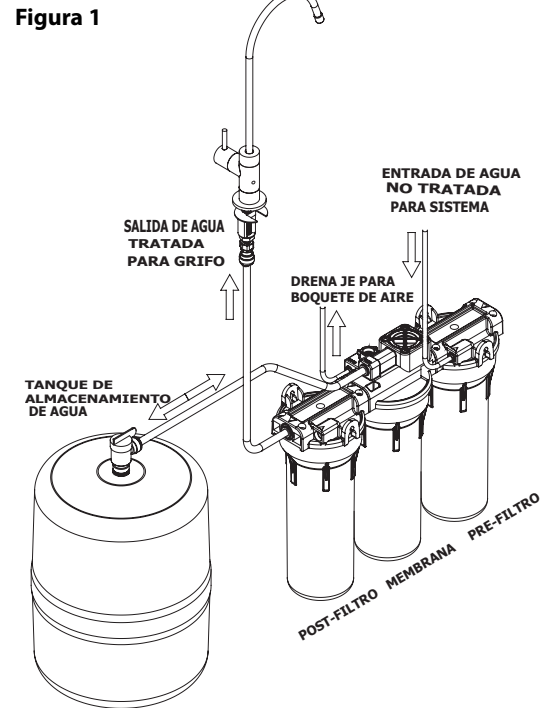
### Tanque de almacenamiento de aire comprimido

Puesto que el agua pasa a través de la membrana demasiado lentamente para satisfacer su demanda instantánea de agua, el sistema incluye un tanque de almacenamiento. Este tanque de almacenamiento contiene una vejiga de goma y es similar al tanque de un sistema de pozo, pero más pequeño. El agua que pasa a través de la membrana ("permeada") es enviada a un lado de la vejiga, mientras que el otro lado se encuentra presurizado con aire (aproximadamente 8 psi cuando vacío). A medida que el tanque se llena con agua, el aire se comprime, proporcionando la presión necesaria para dispensar el agua cuando su grifo está abierto. Una válvula de cierre hidráulico integrada en el conjunto de la carcasa de los filtros detiene automáticamente el flujo a través del sistema cuando el tanque está lleno y abre de nuevo el agua cuando se vacía el tanque.

### Postfiltro

Cuando el agua sale del tanque de almacenamiento en su camino para el grifo, pasa a través de un postfiltro de bloque de carbono. Este filtro está especialmente diseñado para reducir los compuestos orgánicos volátiles (i.e. COV); consulte la hoja de datos de rendimiento para los COV específicos que este sistema se destina a reducir. Los COV incluyen compuestos como el benceno, el lindano, y trihalometanos. El postfiltro también sirve como un "filtro polidor", el paso final en la eliminación de cualquier gusto u olores.

Poniendo todo junto, su sistema Rainsoft Ultrafiner II le ofrece varias líneas de defensa para proteger el agua potable de que su familia depende.



## Información sobre la certificación del producto

Los modelos ULTREFINER II - FMV - BNFP, ULTREFINER II - FMV - BNFV, ULTREFINER II - FMV - CHFP y ULTREFINER II - FMV - CHFV están conformes a la norma NSF / ANSI 58 para las afirmaciones específicas de rendimiento verificadas y sustentadas en datos de prueba. Consultar las hojas de datos de rendimiento para las afirmaciones específicas de reducción.

Los modelos ULTREFINER II - FMV - BNFP, ULTREFINER II - FMV - BNFV, ULTREFINER II - FMV - CHFP Y ULTREFINER II - FMV - CHFV están conformes a la norma NSF/ANSI 53 para la reducción de los COV. Consultar las hojas de datos de rendimiento para contaminantes individuales y para el rendimiento de reducción.

**RESIDENTES DE CALIFORNIA:** Los dispositivos de tratamiento de agua vendidos a los consumidores al por menor en California, acompañados de determinadas declaraciones de propiedades saludables, deben estar certificados por el Departamento de Salud Pública del Estado de California. Este producto no está certificado en el Estado de California para el propósito de hacer declaraciones de propiedades saludables. Consultar con su distribuidor acerca de los modelos certificados en California.

## Componentes que requieren un reemplazo periódico

### Prefiltro

El prefiltro reduce el cloro y elimina la mayoría de las partículas y sedimentos tan pequeños como 10 micras del suministro de agua. El prefiltro requiere el reemplazo periódico cada 12 meses después de la instalación. La calidad de su agua y el su uso pueden afectar este programa de reemplazo. Por favor, consultar la tabla de la página 13 para los números de las piezas de repuesto.

### Cartucho filtrante Ultrefiner II

El cartucho filtrante Ultrefiner II es una membrana semipermeable arrollada en espiral que requiere el reemplazo periódico aproximadamente cada 24 a 36 meses después de la instalación. La calidad de su agua y el su uso pueden afectar este programa de reemplazo. Por favor, consultar la tabla de la página 13 para los números de las piezas de repuesto.

### Postfiltro

El postfiltro eliminará los gustos y olores no deseados del agua. El postfiltro requiere el reemplazo periódico cada 12 meses después de la instalación, para mantener la reducción de los COV. La calidad de su agua y el su uso pueden afectar este programa de reemplazo. Por favor, consultar la tabla de la página 13 para los números de las piezas de repuesto.

**! Nota importante:** Este sistema Ultrefiner II contiene componentes de tratamiento reemplazables, críticos para la reducción efectiva del total de sólidos disueltos (TSD). El agua producida debe ser probada periódicamente para verificar que el sistema funciona correctamente. Consultar con su distribuidor local Rainsoft para más detalles.

# Especificaciones de operación

## Presión de funcionamiento

40 psi – 100 psi (275 kPa – 689 kPa)

## Temperaturas de funcionamiento

50°F – 100°F (10°C – 38°C)

## Rango pH

2 – 11

## Nivel máximo de TSD

1400 partes por millón (PPM)

## Nivel máximo de turbidez a la entrada

11 UNT (unidades nefelométricas de turbidez)

## Nivel de Dureza Máxima

5 granos por galón (85ppm)

## Capacidad para la Reducción de los COV

225 galones (850 litros)

## Velocidad aproximada de flujo @ 60psi:

0.94 gpm

## Tabla de datos

Modelo	MODELO DEL GRIFO	ÍNDICE DE PRODUCCIÓN	ÍNDICE DE EFICIENCIA*	ÍNDICE DE RECUPERACIÓN
ULTREFINER II -FMV	BNFP	16.02 gpd / (60.64 L/día)	17.54%	37.23%
	BNFV			
	CHFP			
	CHFV			

## Especificaciones adicionales

- El agua de entrada debe estar libre de hierro, manganeso y azufre.
- Este sistema ha sido probado para el tratamiento de agua conteniendo arsénico pentavalente (también conocido como AS (V), As (+5) o arseniato) a concentraciones de 0.30 mg/L o menos. Este sistema reduce el arsénico pentavalente, pero puede no eliminar otras formas de arsénico. Este sistema debe ser usado en el agua conteniendo un residuo de cloro libre detectable o en los suministros de agua que se haya comprobado que sólo contienen arsénico pentavalente. El tratamiento con cloramina (cloro combinado) no es suficiente para asegurar la conversión total del arsénico trivalente a arsénico pentavalente. Por favor, consultar la sección de Datos de Arsénico en las hojas de datos de rendimiento para obtener más información.
- No utilizar este producto con agua que no es microbiológicamente segura o de calidad desconocida sin desinfectarla adecuadamente antes o después del sistema. Los sistemas certificados para la reducción de quistes pueden ser usados en aguas desinfectadas que pueden contener quistes filtrables.
- Este sistema debe ser instalado de acuerdo con todas las leyes y reglamentos estatales y locales aplicables.
- Este sistema debe ser instalado en un área no afectada por el calor extremo, por el frío o por otros elementos del clima. El área de instalación seleccionada debe ser adecuada para facilitar el funcionamiento de todas las partes.
- Este sistema está diseñado para tratar sólo el agua fría. La instalación debe hacerse en un suministro de agua fría.

! **Nota Importante:** Si la dureza es mayor que 5 granos, el sistema seguirá funcionando correctamente, pero la longevidad de la membrana puede verse afectada.

\* Los índices de eficiencia y de recuperación son verificadas mediante pruebas en conformidad con la norma NSF / ANSI 58. El índice de eficiencia se refiere al porcentaje de agua de entrada al sistema que está disponible para el usuario como agua tratada por ósmosis inversa, bajo condiciones de funcionamiento que se aproximan del uso diario típico.

El índice de recuperación significa el porcentaje del agua afluente a la porción de membrana del sistema que está disponible para el usuario como agua tratada por ósmosis inversa, cuando el sistema opera sin un tanque de almacenamiento o cuando se salta el tanque de almacenamiento.

# Elementos necesarios para la instalación

## Herramientas:

Taladro, brocas, destornillador, cortador de tubo, llave inglesa ajustable, destornillador acodado Phillips y guantes de vinilo.

## Partes no proveídas en el paquete :

Válvula de cierre de entrada, cinta de teflón, tubería de 1/4 pulgadas D. I., tubería adicional de 3/8 pulgadas D. I. y tornillos de montaje.

**! Notas importantes:** La tubería usada para la instalación debe ser de grado alimenticio. Los tubos John Guest o de marca Parker son recomendados debido a su compatibilidad con los accesorios de su sistema.

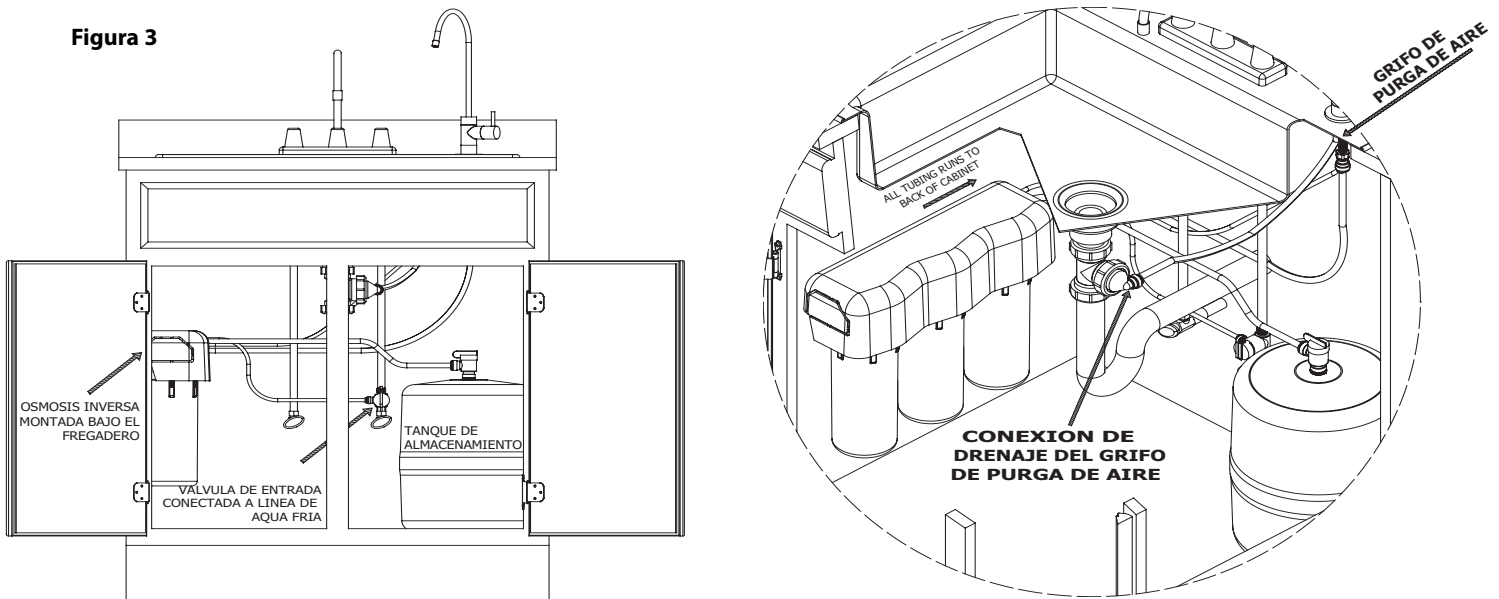
# Ubicación de la instalación

Para su comodidad, el conjunto de soportes Ultrefiner II está diseñado para ser montado en cualquier lado del armario, con las tomas de la tubería apuntadas a la parte posterior.

## Instalación en el fregadero de cocina

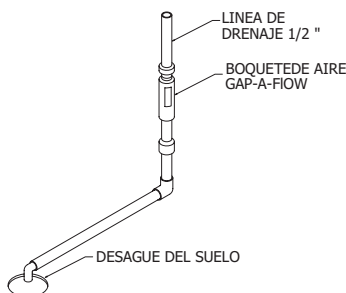
- Los sistemas a montar bajo un fregadero de cocina requieren un grifo de purga de aire. Ver figura 3.

Figura 3

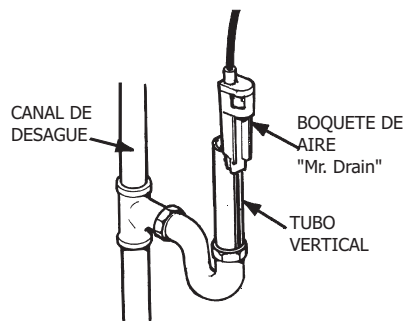


## Montaje en pared y otros

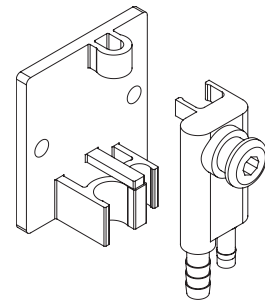
- Si no desea instalar el sistema bajo el fregadero de cocina, puede utilizar un grifo sin purga de aire con la línea de drenaje conectada a un dispositivo de purga de aire por separado.



BOQUETE DE AIRE-Desague Del suelo



BOQUETE DE AIRE- Mr. Drain



BOQUETE DE AIRE- Montaje de pared

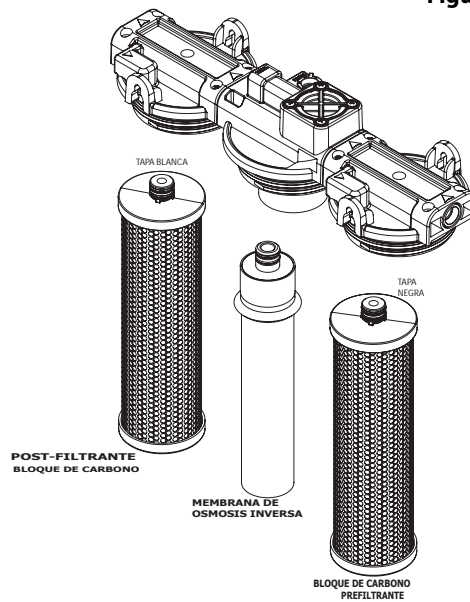
# Instrucciones de instalación

## 1. Instalar los filtros y el cartucho filtrante

- Usando guantes estériles, retirar los dos filtros y la membrana del envase estéril y colocarlos en las carcasas apropiadas.

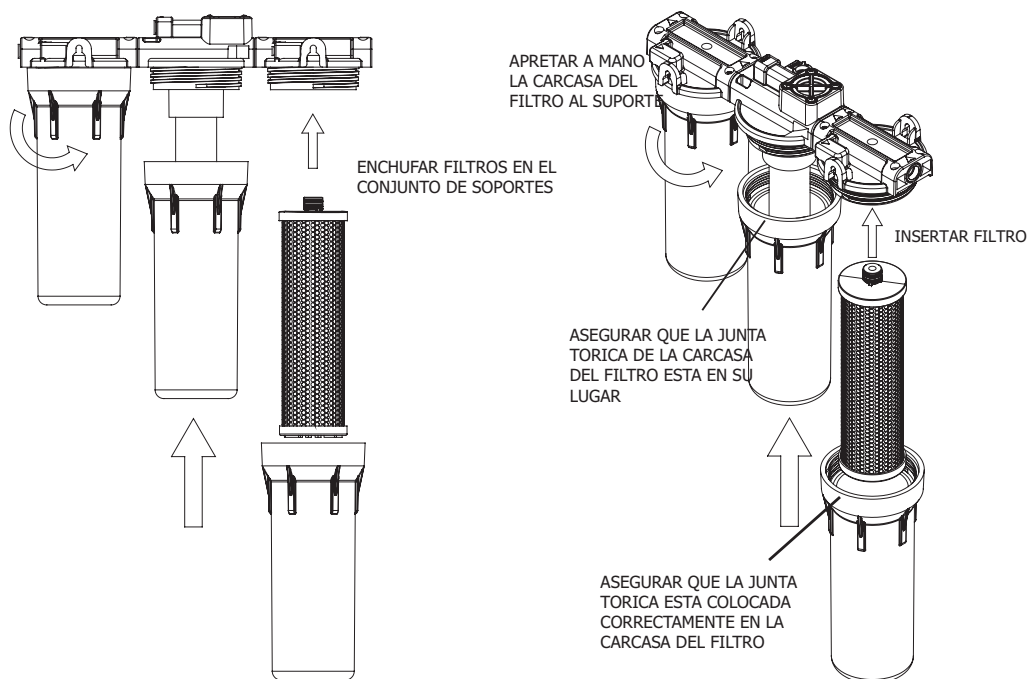
**Consejo útil:** Tener cuidado de no contaminar los filtros y la membrana al tocar objetos no esterilizados.

Figura 4



- Asegurar las carcasas de los filtros apretando a mano en sentido contrario a las agujas del reloj (mirando desde la parte superior) al soporte Ultrafiner II (ver figura 5).

Figura 5



## 2. Montar el sistema

- Utilizar tornillos (no proveidos) para fijar el conjunto de soportes Ultrefiner II a la ubicación prevista.

**Consejo útil:** La broca apropiada debe ser seleccionada de acuerdo con el tipo de material en el lugar de instalación deseado.

Figura 6

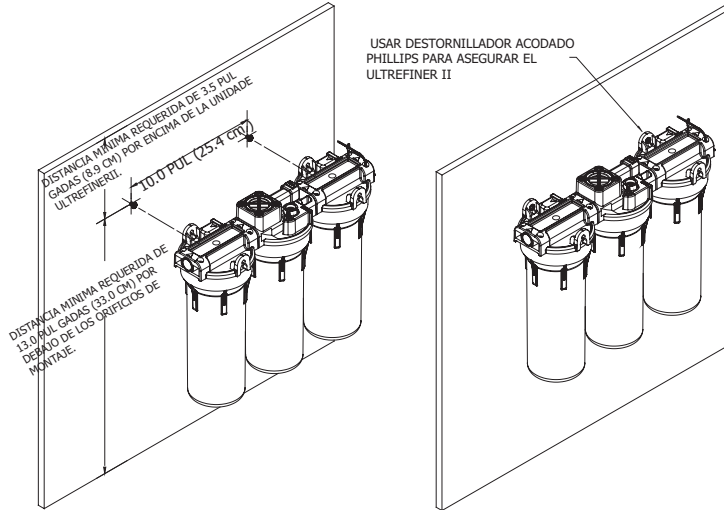
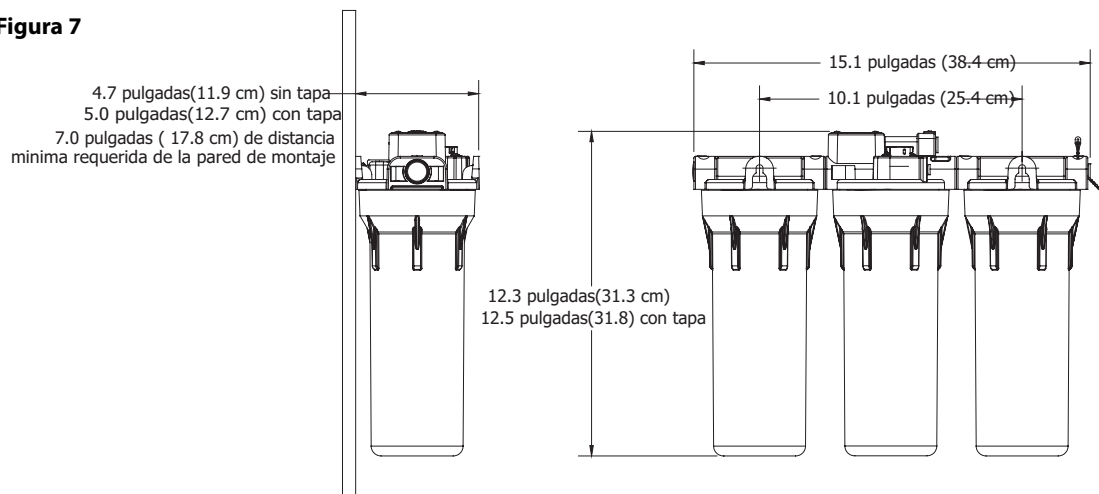


Figura 7

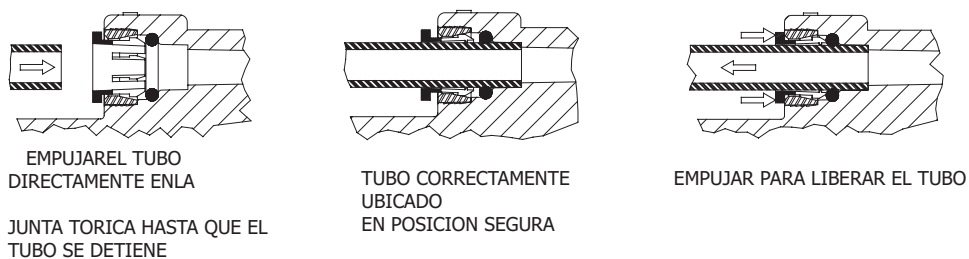


## 3. Instalar el grifo

- Seleccionar una ubicación para montar el grifo.
- Taladrar un agujero de acuerdo con las recomendaciones del fabricante.
- Montar el grifo según las instrucciones.
- Si está usando grifo de purga de aire, empujar el tubo de la línea de renaje en el grifo.
- Utilizar tubería de 3/8 pulgadas (no proveída) para conectar el grifo a la salida del sistema. Asegurarse de que el limitador de flujo está instalado en el tubo de 3/8 pulgadas (no proveído) conectado a la salida del sistema Ultrefiner II.

**Consejo útil:** Para asegurar la conexión, mojar el extremo del tubo y empujar firmemente el tubo en el cartucho.

Figura 8





#### 4. Instalar la válvula de cierre de entrada (no proveída)

- Cerrar el suministro de agua fría y abrir el grifo de agua fría para aliviar cualquier presión de línea;
- Instalar la válvula de cierre de entrada (no proveída) entre la válvula de cierre existente y el grifo de cocina, de manera que cumpla con los códigos de plomería estatales y locales;
- Usar tubería de 1/4 pulgadas (no proveída) para conectar la entrada de la válvula de cierre a la entrada del sistema.

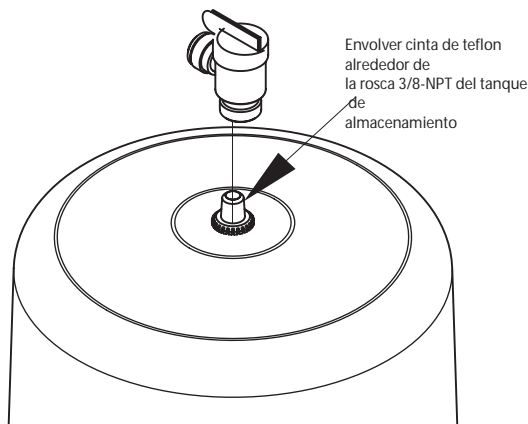
**! Nota Importante:** La válvula de cierre de entrada debe tener una conexión de tubo de 1/4 pulgadas.

#### 5. Instalar el tanque de almacenamiento

- Seleccionar una ubicación para el tanque de almacenamiento. El tanque de almacenamiento puede ser instalado vertical u horizontalmente;
- Envolver cinta de teflón (no proveída) alrededor de la rosca del tanque de almacenamiento;
- Instalar la válvula de cierre (proveída) en el tanque de almacenamiento. La válvula de cierre debe estar en la posición abierta;
- Usar el tubo de 3/8 pulgadas x 4 pies (proveído) para conectar la válvula de cierre del tanque de almacenamiento al orificio del tanque en el soporte de Ultrefiner II. Tubería adicional puede ser necesaria dependiendo de la ubicación del tanque y de la ubicación del soporte Ultrefiner II.

**! Consejo útil:** Si el lugar de instalación deseado es el sótano, el tanque de almacenamiento puede ser montado entre las vigas de piso. Cuanto más cerca del tanque de almacenamiento es el conjunto de soportes Ultrefiner II, mayor será el flujo de agua. El tanque de almacenamiento puede ser instalado vertical u horizontalmente.

Figura 9



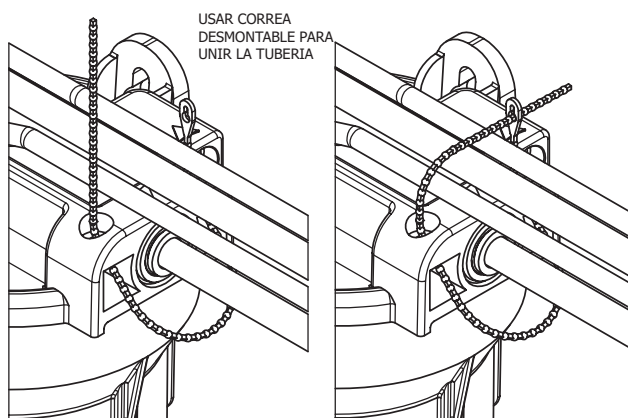
#### 6. Conectar la salida de drenaje

Usar tubería de 1/4 pulgadas (no proveída) para conectar la salida de drenaje a la conexión de drenaje apropiada.

#### 7. Asegurar las conexiones

Enganchar los clips de fijación rojos (proveídos) a los accesorios de conexión.

Figura 10



**! Nota importante:** La conexión de drenaje debe cumplir con los códigos de plomería estatales y locales.

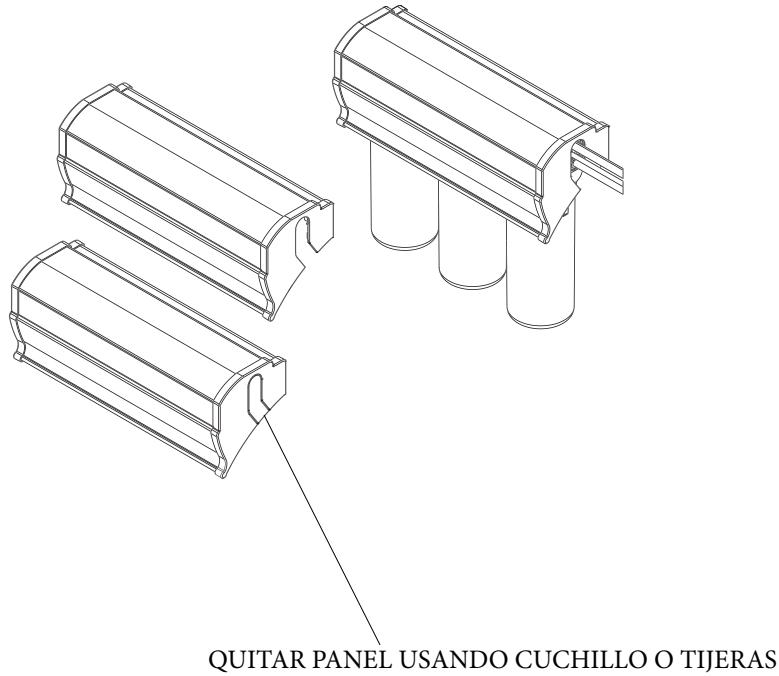
Si el sistema está montado bajo un fregadero de cocina, se requiere un grifo de purga de aire. Si el sistema está montado en una ubicación diferente, se puede usar un grifo sin purga de aire, con un dispositivo de purga de aire por separado, conectado a la línea de drenaje.

## 8. Después del ARRANQUE DEL SISTEMA

Cómo el conjunto de soportes Ultrafiner II y la tapa son reversibles, la tapa está diseñada con paneles laterales extraíbles para el enrutamiento de la tubería. Elegir el panel lateral correcto para quitar con base en la instalación.

- Quitar el panel lateral. Usando cuchillo o tijeras.
- Colocar la tapa sobre el Ultrafiner II y asegurar que la tubería está bien segura a un lado del conjunto de soportes Ultrafiner II.

**Figura 11**



# Arranque del sistema

## 1. Abrir el suministro de agua

Dejar que el sistema comience a llenar con agua.

## 2. Enjuagar rápidamente el sistema

Abrir el grifo Ultrrefiner II y girar el cilindro de drenaje para la posición de descarga rápida ("F" en el cilindro de drenaje) (ver figura 12)..

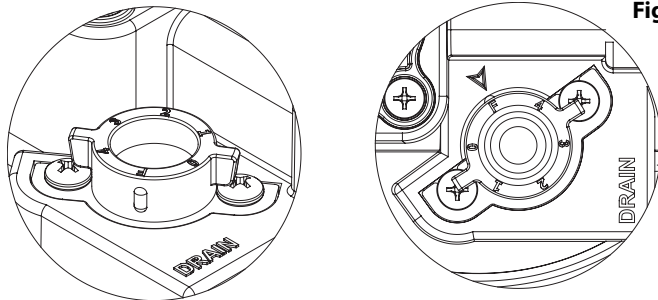


Figura 12

## 3. Reposicionar el cilindro de drenaje

Una vez que el aire haya sido purgado del sistema, girar el cilindro de drenaje para la posición de servicio # 2 (ver figura 13). El tanque de almacenamiento seguirá llenando con agua.

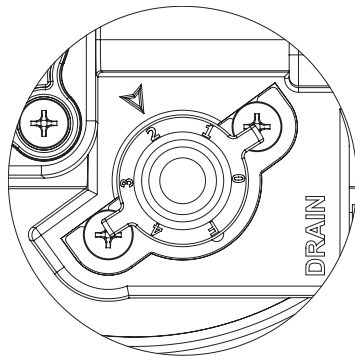


Figura 13

El cilindro de drenaje debe siempre colocarse con la flecha apuntando a los números 1 - 4 o "F". En cada posición, un agujero de tamaño fijo está colocado internamente sobre la conexión de drenaje, controlando la velocidad de flujo para esa configuración. No colocar el cilindro de drenaje entre posiciones, pues que eso no proporciona un ajuste bueno y puede incluso bloquear el flujo de drenaje, sellando la conexión.

La posición "0" cierra el flujo de drenaje. Nunca se debe dejar el sistema en la posición "0", ya que esto hará que la membrana falle. Esta posición está provista sólo como una herramienta de diagnóstico.

## 4. Revisar si hay fugas

Si hay una fuga, realizar las reparaciones necesarias.

## 5. Llenar el sistema

Cuando el agua deja de fluir para el desagüe, el sistema debe ser completamente presurizado y el tanque de almacenamiento debe ser llenado con agua.

## 6. Drenar el tanque de almacenamiento

Abrir el grifo Ultrrefiner II y drenar toda el agua del tanque de almacenamiento.

**Consejos útiles:** Tanto en la posición de descarga rápida como en la posición #2, las tuercas del cilindro de drenaje están alineadas con los tornillos de montaje. Para hacer más fácil la identificación de las posiciones, hay una prominencia en la posición "F". (Ver Figura 13)

**Nota importante:** Los datos de rendimiento certificados NSF, como se muestra en la hoja de datos de rendimiento, se basan en el funcionamiento en la posición de drenaje #2. Los resultados de certificación no son aplicables a otros contextos.

**Nota Importante:** Este procedimiento hará que se vacíe cualquier residuo restante del tanque de almacenamiento.

**Nota importante:** La descarga de 24 horas asegurará el enjuague apropiado de la membrana Ultrrefiner II

**Nota importante:** Es común obtener agua turbia, cubitos de hielo nublados y/o burbujas de aire cuando el sistema es nuevo o después que los filtros/cartuchos han sido reemplazados. Esto es simplemente debido al aire atrapado en el sistema, que pronto se disipará .

**Consejos útiles:** El mantenimiento de un suministro de agua dulce en el tanque de almacenamiento podrá promover un mejor funcionamiento del cartucho filtrante. Cuando se va de vacaciones, cerrar la válvula de entrada de agua fría. Cuando regrese de vacaciones, abrir la válvula de entrada de agua fría, drenar el tanque de almacenamiento y enjuagar rápidamente el sistema.

## 7. Terminar la instalación

- Si una descarga de 24 horas de preinstalación no es llevada a cabo por su distribuidor local, es importante abrir el grifo y dejar que el sistema funcione para drenar durante 24 horas.
- Después de la descarga de agua 24 horas, cerrar el grifo Ultrefiner II y permitir que el tanque de almacenamiento se llene de agua. Cuando el tanque de almacenamiento esté lleno, el sistema estará listo para uso.

## Mantenimiento rutinario del sistema

Si el agua que ingresa a su sistema Ultrefiner II es muy pobre (por ejemplo: alta dureza, alto contenido de sólidos disueltos, alto contenido de hierro), usted puede ayudar a mantener el funcionamiento del sistema realizando periódicamente este procedimiento de drenaje:

### Vaciar su tanque de almacenamiento

Abrir el grifo Ultrefiner II y dejar correr el agua hasta que el flujo se convierta en pequeñas gotas. Cerrar el grifo Ultrefiner II. El flujo de drenaje continuará corriendo hasta que el tanque sea rellenado.

### Enjagar la membrana y la línea de drenaje

Mientras va a rellenar el tanque de almacenamiento, girar el selector de drenaje a la posición F (Ver la Figura 12 en la página 11). Esto aumentará el volumen de agua de drenaje corriendo a través de la membrana. Una vez que el tanque ha rellenado (por lo general 2-3 horas), el flujo de drenaje se detendrá. A continuación, debe girar el selector de drenaje a su configuración anterior.

**! Notas importantes: las unidades de reducción de nitratos son aceptables para el tratamiento de concentraciones de no más que 27 ppm de nitrato y de 3 ppm de nitrito en combinación (medidas como "N") y están certificadas para la reducción de nitrato/nitrito sólo para suministros de agua con una presión de 40 psi o mayor.**

## Mantenimiento periódico del sistema y pruebas de su agua

### Reducción de nitrato

Si usted depende de este sistema para la reducción de nitratos, se recomienda probar el agua periódicamente (2 veces al año como mínimo) con un kit de pruebas de nitrato (proveído), para asegurar que el sistema está funcionando correctamente. Otros kits de prueba de nitrato (número 12061) se pueden comprar a su distribuidor local Rainsoft.

### Reducción de los COV

Si usted depende de este sistema para la reducción de los COV, se recomienda probar el agua periódicamente (2 veces al año como mínimo), para asegurar que el sistema está funcionando correctamente. Su distribuidor local Rainsoft puede organizar esta prueba por una tarifa nominal.

### Reducción de quistes

Si usted depende de este sistema para la reducción de quistes, se recomienda probar el agua periódicamente (2 veces al año como mínimo), para asegurar que el sistema está funcionando correctamente. Su distribuidor local Rainsoft puede organizar esta prueba por una tarifa nominal.

### Otras declaraciones de propiedades saludables

Si usted depende de este sistema para otras declaraciones de propiedades saludables, por favor consultar las hojas de datos de rendimiento en las páginas 17 a 19. Consultar su distribuidor Rainsoft para obtener información adicional.

## Cómo cambiar los filtros

1. Cerrar el suministro de agua fría al sistema Ultrafiner II.
2. Cerrar la válvula de cierre del tanque de almacenamiento y abrir el grifo Ultrafiner II.
3. Colocar una bandeja de goteo o cubeta si necesario para coher el agua de los cartuchos de los filtros, para evitar derrames.
4. Para reemplazar los filtros, utilizar una llave de filtros Slim Line (no proveída) para desenroscar las carcasas de los filtros de la tapa (ver las figuras 14).
5. Reemplazar los filtros y volver a montar (ver consejos útiles).
6. Una vez montado, girar el cilindro de drenaje a la posición F. (ver la figura 12 en página 11).
7. Abrir el agua de entrada al sistema Ultrafiner II.
8. Abrir la válvula del tanque de almacenamiento y el grifo Ultrafiner II. Dejar que el agua corra para enjuagar durante 15 minutos.
9. Girar el cilindro de drenaje a sus posiciones de número predeterminadas, cerrar el grifo y dejar que el tanque se llene por un mínimo de 2 horas. Si ha reemplazado la membrana, por favor, abrir el grifo después de 2 horas para vaciar el primer tanque de agua. Esto hará que se enjuague correctamente la membrana.

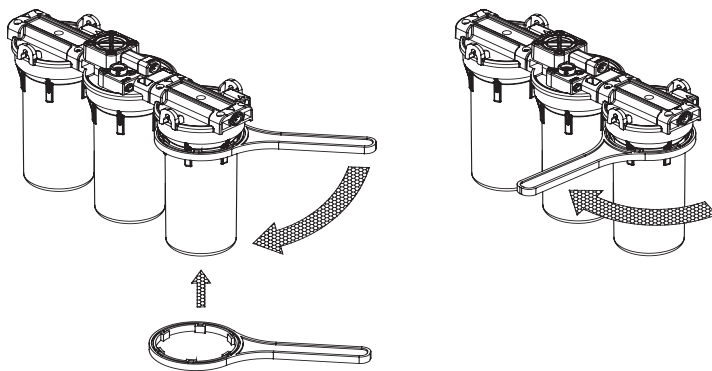


Figura 14

## Membrana y filtro Rainsoft de repuesto

Las siguientes piezas de repuesto Rainsoft están disponibles a través de su distribuidor local Rainsoft.

Si usted no puede pedir piezas de repuesto a su distribuidor local Rainsoft, por favor póngase en contacto con Rainsoft al 1-800-860-7638 para obtener ayuda.

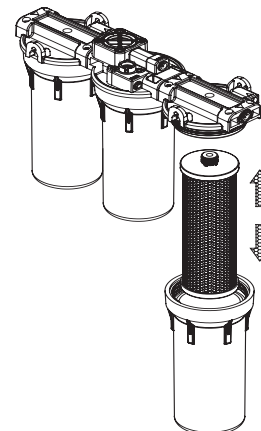
Modelo	Prefiltro	Cartucho filtrante	Postfiltro
ULTRAFINER II-FMV	51635	51637	51636

**Nota importante:** Al desenroscar las carcasas de los filtros usar la llave de filtros Slim Line. Desenroscar las carcasas de los filtros usando otras herramientas no autorizadas puede dañar las carcasas de los filtros y anular la garantía.

**Nota importante:** "Se recomienda reemplazar las juntas tóricas del contenedor con motas grises para asegurar la adecuada compresión de la junta tórica, no hacerlo puede resultar en apretar del contenedor para crear un sello y puede causar una tensión indebida en el contenedor y la tapa que puede causar la rotura de estos componentes bajo presión."

**Consejos útiles:** Para evitar contaminación, se recomienda el uso de guantes estériles mientras cambia los componentes del sistema. Al cambiar el cartucho filtrante, verificar que el sello de salmuera y las juntas tóricas están firmes y en su lugar.

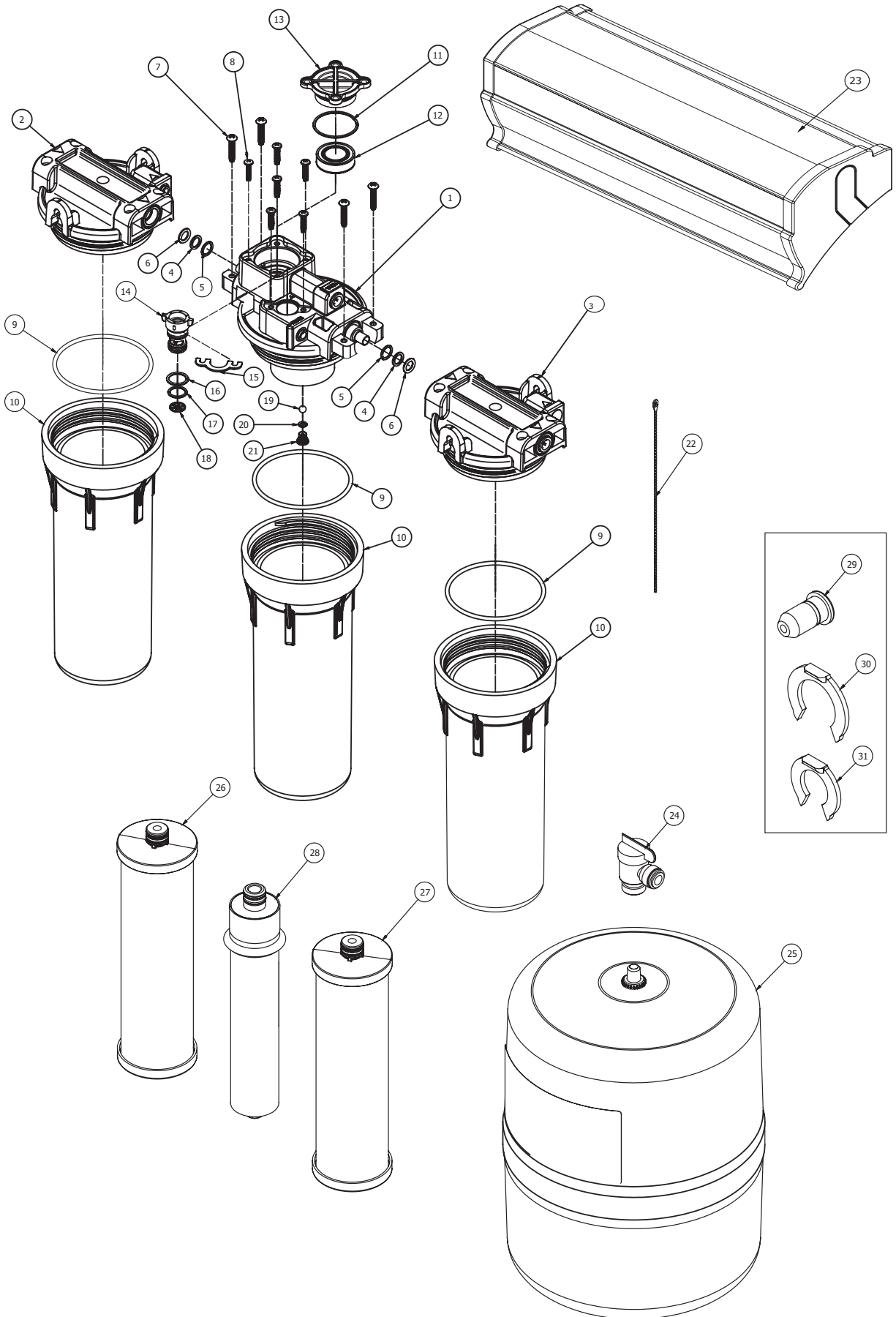
Siempre lubricar las juntas tóricas con un lubricante **NO DERIVADO DE PETRÓLEO** para garantizar la longevidad de las juntas tóricas. No apretar demasiado las carcasas a la tapa - AJUSTE MANUAL SÓLO.



**Nota importante:** Para mantener la calidad de su sistema es importante utilizar sólo filtros de repuesto y cartuchos genuinos Rainsoft. Otros filtros y cartuchos alternativos "hechos a medida" pretenden realizar las mismas funciones que las piezas originales Rainsoft, pero no están aprobados para ser usados en su sistema! Filtros y cartuchos alternativos "hechos a medida" aumentarán la probabilidad de fugas, poniendo todo el sistema en riesgo! Además, muchos filtros de repuesto del mercado de accesorios no han sido probados para el contacto con agua potable segura.

Al colocar filtros y cartuchos alternativos "hechos a medida" en su Sistema de Agua Potable Premium Rainsoft Ultrafiner II, la garantía del producto será nula y sin efecto y el sistema perderá su certificación NSF. Para garantizar el correcto funcionamiento y certificación de su Sistema de Agua Potable Premium Rainsoft Ultrafiner II, por favor, utilizar piezas originales Rainsoft.

# Vista despiezada del sistema Ultrafiner II y lista de piezas

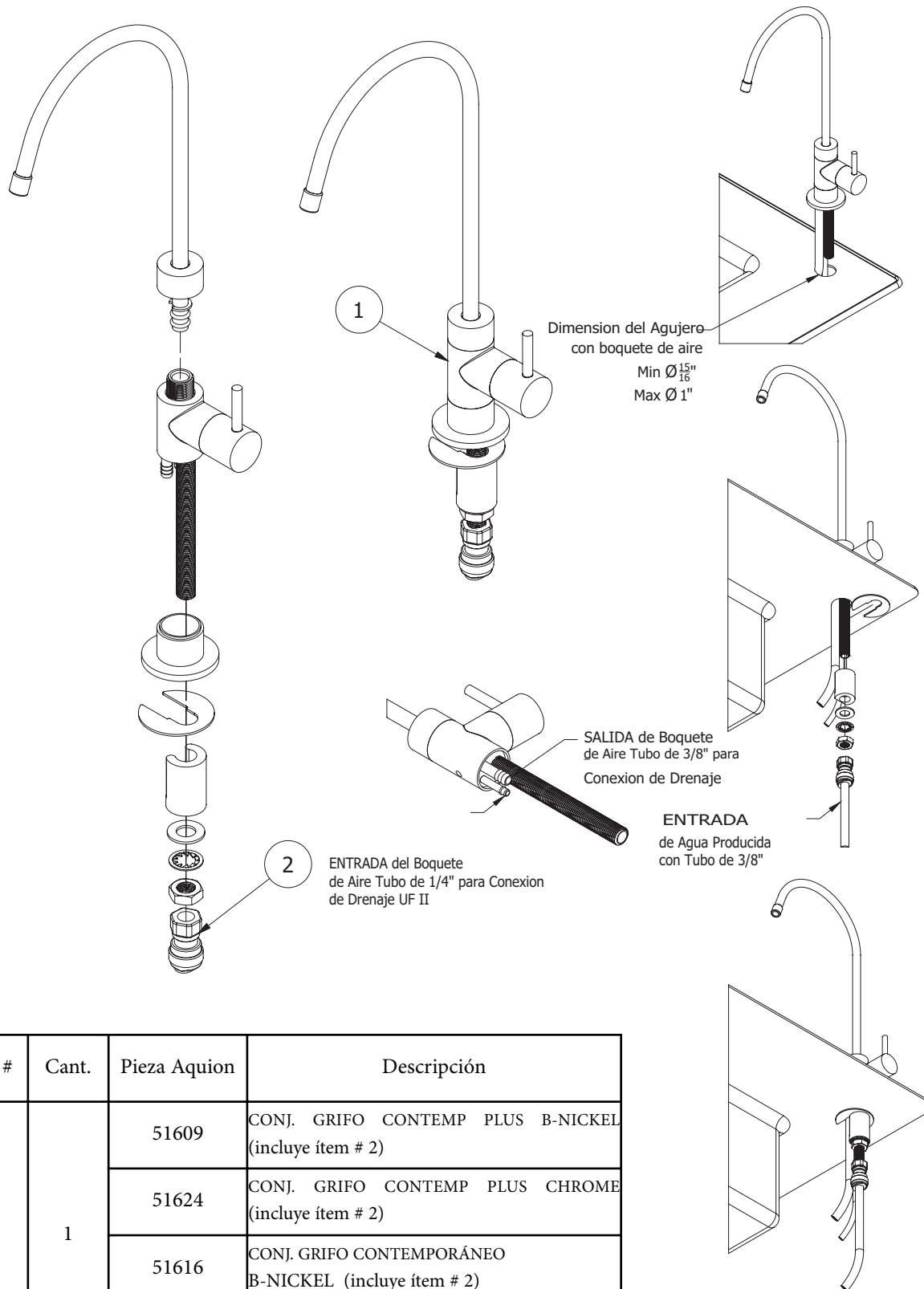


## Lista de Piezas

Ítem #	Pieza #	Cantidad	Descripción
1	51570	1	CONJUNTO DESAGÜE 1/4 & TANQUE 3/8 UF II
2	51571	1	CONJUNTO DE ENTRADA TAPA DE CONTENEDOR 1/4 UF II
3	51572	1	CONJUNTO SALIDA TAPA DE CONTENEDOR 3/8
4	51561	2	ARANDELA UF II
5	19914	2	JUNTA TÓRICA -013
6	19621	2	JUNTA TÓRICA 3/8
7	71497	4	TORNILLO #10-16 x 1 pulg. (15-222)
8	51567	6	TORNILLO CABEZA PLANA 8-16 x 3/4 SS
9	12994	4	JUNTA TÓRICA 237 -9516
10	51605	3	CONTENEDOR UF II, SLIM LINE MOTAS GRISES
11	12632	1	JUNTA TÓRICA 029
12	17360	1	CARTUCHO DE CIERRE DEL DESAGÜE
13	19899	1	TAPA DE CIERRE UF II
14	19897	1	UF II CILINDRO DE DRENAJE
15	10102	1	RETENEDOR DE VÁLVULA DE DRENAJE
16	51630	1	JUNTA TÓRICA 2MM x 16MM EPR 70 D
17	17958	1	JUNTA TÓRICA 015
18	19898	1	SELLO DE CILINDRO DE DRENAJE UF II
19	71961	1	BOLA DE ESTRANGULACIÓN
20	51562	1	JUNTA TÓRICA 008
21	51560	1	ENCHUFE DE BOLA DE RETENCIÓN UF II
22*	51631	1	ATADURA REBORDEADA LIBERABLE NEGRA
23	51741	1	CONJUNTO DE LA TAPA UF II
24	17034	1	VÁLVULA DE BOLA NPT TUBO 3/8 x 1/4"
25	51640	1	CONJUNTO DEL TANQUE DE ALMACENAMIENTO UF II
26	51635	1	REEMPLAZO PREFILTRO DE CARBÓN UF II / NEGRO
27	51636	1	REEMPLAZO POSTFILTRO DE COV DE CARBÓN UF II / BLANCO
28	51637	1	REEMPLAZO MEMBRANA 50 GPD UF II
29 *	51614	1	CONTROL DE FLUJO 1.0 GPM UF II
30 *	19005	3	CLIP DE FIJACIÓN 3/8 pulg.
31 *	19006	2	CLIP DE FIJACIÓN 1/4 pulg.

\*Puede encontrar el ítem n° 22, 29, 30 y 31 en el paquete de garantía.

# Vista Despiezada del Grifo y Lista de Piezas



Ítem #	Cant.	Pieza Aquion	Descripción
1	1	51609	CONJ. GRIFO CONTEMP PLUS B-NICKEL (incluye ítem # 2)
		51624	CONJ. GRIFO CONTEMP PLUS CHROME (incluye ítem # 2)
		51616	CONJ. GRIFO CONTEMPORÁNEO B-NICKEL (incluye ítem # 2)
		51603	CONJ. GRIFO CONTEMPORÁNEO CHROME (incluye ítem # 2)
2	1	51617	ACCESORIO DE GRIFO 3/8 x JUNTA TÓRICA UNS 7/16-24 *



## Guía de resolución de problemas

Síntoma	Causa	Solución
<b>No hay agua corriendo de la salida</b>	1. El suministro de agua está cerrado.	1. Abrir el agua.
	2. El suministro de agua está bloqueado.	2. Eliminar la obstrucción. Si esto no funciona, la obstrucción puede ser interna a el Ultrefiner II o externa, en la tubería del agua. Póngase en contacto con su distribuidor Rainsoft para cuestiones relativas al Ultrefiner II.
	3. El cartucho filtrante está obstruido.	3. Reemplazar la membrana - Póngase en contacto con su distribuidor Rainsoft para nueva membrana.
	4. La tubería de entrada del agua está torcida o pellizcada.	4. Verificar que no hay torceduras en la tubería de entrada. Retirar todos los puntos de pellizco.
<b>Presión del agua proveniente de la salida o del grifo extremadamente baja.</b>	1. El tanque de almacenamiento no está recogiendo agua.	1. Asegurarse que la válvula de bola del tanque de almacenamiento está en la posición abierta.
	2. La tubería del tanque de almacenamiento o del grifo está torcida.	2. Reparar la torcedura de la tubería y verificar si no hay daños.
	3. El aire del tanque de almacenamiento se ha escapado o ha perdido presión.	3. Recargar la válvula de aire utilizando una bomba de bicicleta a 8 psi. Si la presión de agua es restaurada, póngase en contacto con su distribuidor Rainsoft para explicar los detalles. Puede ser requerido un tanque de almacenamiento nuevo.
	4. La pasaje de agua en el interior de la unidad Ultrefiner II tiene una obstrucción.	4. Póngase en contacto con su distribuidor Rainsoft para el servicio requerido.
<b>El agua de drenaje no cierra después de 2 a 3 horas de funcionamiento</b>	1. El grifo u otra conexión en la salida del sistema (por ejemplo, una máquina de hielo) no está cerrada y no está permitiendo suficiente presión para cerrar el diafragma.	1. Asegurarse que todas las conexiones de salida están completamente cerradas.
	2. El cartucho de cierre del desagüe ha fallado.	2. Póngase en contacto con su distribuidor Rainsoft para el servicio requerido.
	3. La bola de retención está goteando.	3. Póngase en contacto con su distribuidor Rainsoft para el servicio requerido.

Si la guía de resolución de problemas no resolvió el síntoma, por favor póngase en contacto con su distribuidor local Rainsoft para el servicio. Si no puede localizar su distribuidor local Rainsoft, por favor póngase en contacto con el Servicio al Cliente Rainsoft al 1-800-860-7638 o ingrese a [www.rainsoft.com](http://www.rainsoft.com) para el nombre y la ubicación de su distribuidor más cercano.

## Ultrefiner II - FMV

### Sistema de Agua Potable Premium

- VÁLVULA DE CIERRE DE DRENAJE AUTOMÁTICA
  - VÁLVULA DE DESCARGA RÁPIDA MANUAL
  - ÍNDICE DE PRODUCCIÓN DIARIA = 16.02 GPD
  - ÍNDICE DE EFICIENCIA<sup>3</sup>=17.54%
  - ÍNDICE DE RECUPERACIÓN = 37.23%
  - NIVEL MÁX DE TSD (PPM) = 1400
  - CAPACIDAD PARA LA REDUCCIÓN DE COV: 225 GALONES
  - PSI DE FUNCIONAMIENTO DEL SUMINISTRO: 40 – 100 PSI (275 – 689 kPa)
  - TEMPERATURA DE FUNCIONAMIENTO: 50 – 100° F (10 a 38° C)
- RANGO pH: 2 – 11
  - FILTROS DE REPUESTO:
- | DESCRIPCIÓN       | ÍTEM: |
|-------------------|-------|
| PREFILTRO         | 51635 |
| MEMBRANA          | 51637 |
| POSTFILTRO DE COV | 51636 |

Este sistema ha sido probado siguiendo la norma NSF / ANSI 58 para la reducción de las sustancias citadas a continuación. La concentración de las sustancias indicadas en el agua entrando en el sistema fue reducida a una concentración menor o igual al límite permitido para el agua saliendo del sistema, en conformidad con la norma NSF / ANSI 58.

LA UNIDAD DEBE SER INSTALADA EN UN ÁREA NO AFECTADA POR EL CALOR, POR EL FRÍO O POR OTROS ELEMENTOS DEL CLIMA. ESTE SISTEMA DEBE SER INSTALADO DE ACUERDO CON TODAS LAS LEYES Y REGLAMENTOS LOCALES Y ESTATALES APLICABLES.

Lista de los contaminantes				
CONTAMINANTE	CONCENTRACIÓN MEDIA EN EL AFLUENTE (MG/L)	CONCENTRACIÓN MEDIA EN EL EFLUENTE (MG/L)	REDUCCIÓN POR-CENTUAL MEDIA	CONCENTRACIÓN MÁXIMA EN EL EFLUENTE (MG/L)
ARSÉNICO <sup>1</sup>	0.29	0.002	99.3	0.003
BARIO	9.5	0.14	98.5	0.35
CADMIO	0.031	0.0006	98.1	0.0011
CROMO (HEXAVALENTE)	0.3	0.007	97.7	0.013
CROMO (TRIVALENTE)	0.31	0.003	99.0	0.006
COBRE	3.0	0.038	98.7	0.069
QUISTE	26000	5	>99.99	21
FLUORURO	8.6	0.39	95.5	0.51
PLOMO	0.16	0.003	98.1	0.019
NITRATE/NITRITE <sup>2</sup>	32	4.2	87	5.2
RADIO 226/228	25 pCi/L	5 pCi/L	80	5 pCi/L
SELENIO	0.1	<0.006	>94.0	<0.006
TSD	750	27	96.4	86
TURBIDEZ	11 NTU	0.08 NTU	99.3	0.26 NTU
CONDICIÓN DE PRUEBA NSF/ANSI NORMA 58: 50 ± 3 psi, pH 7.5 ± 0.5, 77 ± 2° F				

NO USAR CON AGUA QUE SEA MICROBIOLÓGICAMENTE INSEGURA O DE CALIDAD DESCONOCIDA SIN DESINFECTARLA ADECUADAMENTE ANTES O DESPUÉS DEL SISTEMA. SISTEMAS CERTIFICADOS PARA LA REDUCCIÓN DE QUISTES PUEDEN SER USADOS EN AGUA DESINFECTADA QUE PUEDE CONTENER QUISTES FILTRABLES. EL SISTEMA CONTIENE PIEZAS DE REPUESTO ESENCIALES PARA LA REDUCCIÓN EFECTIVA DE LOS CONTAMINANTES. EL AGUA DEBE SER PROBADO PERIÓDICAMENTE (2 VECES AL AÑO COMO MÍNIMO) PARA VERIFICAR QUE EL SISTEMA ESTÁ FUNCIONANDO CORRECTAMENTE.

REEMPLAZAR EL CARTUCHO FILTRANTE ULTREFINER II - FMV 24 A 36 MESES DESPUÉS DE LA INSTALACIÓN, EN FUNCION DE LAS CONDICIONES DE AGUA. UNA PRUEBA DE AGUA PARA LA REDUCCIÓN DE TSD ES EL MEJOR INDICADOR DEL RENDIMIENTO DE LA MEMBRANA. REEMPLAZAR LOS CARTUCHOS DEL PREFILTRO Y DEL POSTFILTRO 12 MESES DESPUÉS DE LA INSTALACIÓN O ANTES DEPENDIENDO DE LAS CONDICIONES DE AGUA.

EL AGUA DE ENTRADA PARA CONSUMO DEBE ESTAR LIBRE DE HIERRO, MANGANESO Y AZUFRE.

LOS DATOS DE RENDIMIENTO CERTIFICADOS NSF, TAL COMO APARECEN EN LA HOJA DE DATOS DE RENDIMIENTO, SE BASA NEL FUNCIONAMIENTO EN LA POSICIÓN #2. LOS RESULTADOS DE CERTIFICACIÓN NO SE APLICAN A OTRAS POSICIONES.

CONSULTAR LA TARJETA DE GARANTÍA PARA OBTENER INFORMACIÓN ESPECÍFICA DE LA GARANTÍA.

**NO APROBADO PARA USO EN CALIFORNIA. POR FAVOR, SOLICITAR MANUALES DE USUARIO DE PRODUCTOS ESPECÍFICOS DE CALIFORNIA A SU DISTRIBUIDOR LOCAL RAINSOFT.**

#### AVISO IMPORTANTE:

LER ESTA HOJA DE DATOS DE RENDIMIENTO Y COMPARAR LAS CAPACIDADES DE ESTA UNIDAD CON SUS NECESIDADES REALES DE TRATAMIENTO DE AGUA. SE RECOMIENDA QUE ANTES DE COMPRAR UNA UNIDAD DE TRATAMIENTO DE AGUA, QUE PONGA A PRUEBA SU SUMINISTRO DE AGUA PARA DETERMINAR SUS NECESIDADES REALES DE TRATAMIENTO DE AGUA.



Los modelo ULTREFINER II - FMV - BNFP, ULTREFINER II - FMV - BNFV, ULTREFINER II - FMV - CHFP y ULTREFINER II - FMV - CHFV están probados y certificados por NSF en NSF/ANSI 58 para las afirmaciones específicas de reducción sustentadas en datos de prueba.



# Ultrefiner II - SFMV

## Sistema de Agua Potable Premium

COV, Declaraciones de reducción – Norma 53<sup>5</sup>

CONTAMINANTE	CONCENTRACIÓN MEDIA AFLUENTE MG/L	CONCENTRACIÓN MÁXIMA ADMISIBLE EN EL AGUA PRODUCIDA (MG/L)	LCM APE EE. UU. (MG/L)
ALACLOR	0.050	0.001	0.002
ATRAZINA	0.100	0.003	0.003
BENCENO	0.081	0.001	0.005
CARBOFURANO	0.190	0.001	0.04
CARBON TETRACLORURO	0.078	0.0018	0.005
CLOROBENCENO	0.077	0.001	0.1
CLOROPICRINA	0.015	0.0002	-----
2,4-D	0.110	0.0017	0.07
DIBROMOCLOROPROPANO (DBCP)	0.052	0.00002	0.0002
O-DICLOROBENCENO	0.080	0.001	0.60
P-DICLOROBENCENO	0.040	0.001	0.075
1,2-DICLOROETANO	0.088	0.0048	0.005
1,1-DICLOROETILENO	0.083	0.001	0.007
CIS- 1,2-DICLOROETILENO	0.170	0.0005	0.07
TRANS-1,2-DICLOROETILENO	0.086	0.001	0.10
1,2-DICLOROPROPANO	0.080	0.001	0.005
CIS-1 ,3-DICHLOROPROPYLENE	0.079	0.001	-----
DINOSEB	0.170	0.0002	0.007
ENDRINA	0.053	0.00059	0.002
ETILBENCENO	0.088	0.001	0.70
DIBROMURO DE ETILENO (EDB)	0.044	0.00002	0.00005
HALOACETONITRILES (HAN):			
BROMOCLOROACETONITRILO	0.022	0.0005	-----
DIBROMOACETONITRILO	0.024	0.0006	-----
DICLOROACETONITRILO	0.0096	0.0002	-----
TRICLOROACETONITRILO	0.015	0.0003	-----
HALOCETONAS (HK):			
1,1-DICLORO-2-PROPANO	0.0072	0.0001	-----
1,1,1-TRICLORO-2-PROPANO	0.0082	0.0003	-----
HEPTACLORO	0.025	0.00001	0.0004
EPÓXIDO DE HEPTACLORO	0.011	0.0002	0.0002
HEXACLOROBUTADIENO	0.044	0.001	-----
HEXACLOROCICLOPENTADIENO	0.060	0.000002	0.05
LINDANO	0.055	0.00001	0.0002
METOXICLORO	0.050	0.0001	0.04
PENTAFLOROFENOL	0.096	0.001	0.001
SIMAZINA	0.120	0.004	0.004
ESTIRENO	0.150	0.0005	0.10
1,1,2,2-TETRACLOROETANO	0.081	0.001	-----
TETRACLOROETILENO	0.081	0.001	0.005
TOLUENO	0.078	0.001	1.00
ACID TRIBROMOACETIC	0.042	0.001	-----
2,4,5-TP (SILVEX)	0.270	0.0016	0.05
1,2,4-TRICLOROBENCENO	0.160	0.0005	0.07
1,1,1-TRICLOROETANO	0.084	0.0046	0.20
1,1,2-TRICLOROETANO	0.150	0.0005	0.005
TRICLOROETILENO	0.180	0.001	0.005
TRIHALOMETANOS	0.300	0.015	0.08
XILENOS (TOTAL)	0.070	0.001	10

1. Estos sistemas han sido probados para el tratamiento de agua conteniendo arsénico pentavalente (también conocido como As(V), As(+5), o arseniato) a concentraciones de 0.30 mg/L o menos. Este sistema redujo el arsénico pentavalente, pero puede no eliminar otras formas de arsénico. Este sistema debe ser utilizado en los suministros de agua que contienen un residuo de cloro libre detectable en la entrada del sistema o en los suministros de agua que se ha demostrado que sólo contienen arsénico pentavalente. El tratamiento con cloramina (cloro combinado) no es suficiente para asegurar la conversión total del arsénico trivalente a arsénico pentavalente. Por favor, consultar la sección arsénico en la hoja de datos de rendimiento para obtener más información.

2. El Ultrefiner II es aceptable para el tratamiento de concentraciones del afluente de no más de 27 mg/L de nitrato y 3 mg/L de nitrito en combinación medidos como "N" y está certificado para la reducción de nitrato/nitrito sólo para los suministros de agua con una presión de 280 kPa (40 psi) o mayor. Para niveles del afluente más altos se requerirá tratamiento adicional o diseño individual. Si usted depende del Ultrefiner II para la reducción de nitratos, recomendamos probar el agua periódicamente (2 veces al año como mínimo) con un kit de prueba de nitrato (proveído) para asegurar que el sistema funciona correctamente. Otros kits de prueba de nitrato (pieza número 12061) pueden ser adquiridos a su distribuidor local Rainsoft.

3. Índice de eficiencia se refiere al porcentaje de agua de entrada al sistema que está disponible para el usuario como agua tratada por ósmosis inversa bajo condiciones de funcionamiento que se aproximan del uso diario normal.

4. Índice de recuperación se refiere al porcentaje de agua afluente a la porción de membrana del sistema que está disponible para el usuario como agua tratada por ósmosis inversa cuando el sistema funciona sin un tanque de almacenamiento o cuando se salta el tanque de almacenamiento.

5. Las reducciones que se muestran son para químicos/compuestos orgánicos volátiles (COV), como por las tablas de la NSF. Se usó cloroformo como sustituto para las declaraciones de reducción de los COV. El índice de reducción real de cloroformo fue de 99.7% según pruebas realizadas por NSF International en 200% de su capacidad (i. e. 450 galones), en conformidad con la norma NSF / ANSI 53.

CONDICIÓN DE PRUEBA NSF/ANSI NORMA 53: 60 ± 3 psi, pH 7.5 ± 0.5, 68 ± 5 °F

Para las compras realizadas en el Estado de Iowa: este formulario debe ser firmado y fechado por el comprador y el vendedor antes de la consumación de la venta. Durante un periodo mínimo de dos años el vendedor deberá conservar este formulario en el archivo.

Comprador _____	Vendedor _____
Nombre _____	Nombre _____
Dirección _____	Dirección _____
Ciudad _____ Estado _____ Código Postal _____	Ciudad _____ Estado _____ Código Postal _____
Firma _____ Fecha _____	Firma _____ Fecha _____

## Ultrefiner II - FMV

### Sistema de Agua Potable Premium

#### HECHOS ACERCA DE ARSÉNICO

El arsénico (As) es un contaminante natural encontrado en aguas distintas. Por lo general, se produce en dos formas (valencias o estados de oxidación): arsénico pentavalente (también conocido como As(V), As (+5) o arseniato) y arsénico trivalente (también conocido como As(III), As(+3), o arsenito). En agua subterránea natural, el arsénico puede existir como arsénico trivalente, arsénico pentavalente o una combinación de ambos. Aunque ambas formas de arsénico son potencialmente dañinas para la salud humana, el arsénico trivalente es considerado más perjudicial que el arsénico pentavalente. Más información acerca del arsénico y su toxicidad se puede encontrar en el sitio web de la Agencia de Protección Ambiental de los EE.UU. en <http://www.epa.gov/safewater/arsenic.html>.

**El sistema está diseñado para eliminar sólo el arsénico pentavalente. Estos sistemas de tratamiento no proporcionan una función de conversión del arsénico trivalente a arsénico pentavalente. El sistema puede eliminar algún arsénico trivalente, sin embargo, no ha sido evaluado por su capacidad para eliminar el arsénico trivalente.**

El arsénico trivalente es generalmente más difícil de eliminar del agua potable que el arsénico pentavalente. El arsénico trivalente se puede convertir en arsénico pentavalente en presencia de un oxidante eficaz tal como cloro libre. El arsénico en el agua conteniendo cloro libre detectable o que ha sido tratada con otro oxidante eficaz estará en la forma de arsénico pentavalente. El tratamiento con cloramina (cloro combinado) no es suficiente para asegurar la conversión total del arsénico trivalente a arsénico pentavalente.

Los consumidores que usan suministros públicos de agua pueden contactar a su empresa de servicios públicos para verificar si están siendo utilizados productos químicos sin tratamiento de cloro. Los suministros privados de agua y las aguas que no tienen residuos de cloro libre detectables deben ser analizadas para determinar la(s) forma(s) de arsénico presente(s) y la necesidad potencial de oxidación del arsénico trivalente a arsénico pentavalente.

El arsénico no suele dar color, sabor u olor al agua, por lo tanto, sólo puede ser detectado por una prueba química analítica. Los suministros públicos de agua están obligados a controlar el agua tratada para el arsénico total (arsénico trivalente además de arsénico pentavalente) y los resultados deben estar disponibles para el público de la empresa de servicios públicos. Los consumidores que usan fuentes de agua privadas tendrán que hacer los arreglos necesarios para la prueba. Se recomienda que la prueba sea llevada a cabo por un laboratorio certificado. Su distribuidor local Rainsoft, los departamentos de salud locales y las agencias de protección ambiental pueden ayudar a proporcionar una lista de laboratorios certificados. Algunos laboratorios también pueden ser capaces de realizar análisis específicos para las dos formas de arsénico presentes en una muestra de agua, si necesario.

Este sistema de tratamiento fue probado en condiciones de laboratorio como se define en la norma NSF / ANSI 58 para Sistemas de Tratamiento de Agua Potable por Osmosis Inversa y se encontró que disminuye 0.29 mg/L en el agua de ensayo a menos de 0.010 mg /L, en condiciones de ensayo estándar. El rendimiento real del sistema puede variar dependiendo de las condiciones específicas de calidad del agua del consumidor. Después de la instalación de este sistema, el consumidor debe hacer que el agua tratada sea probada para arsénico total para verificar si la reducción de arsénico se está cumpliendo y si el sistema está funcionando correctamente.

El componente de eliminación del arsénico pentavalente de este sistema debe ser reemplazado al final de su vida útil de 24 a 36 meses. El componente de reemplazo (N/P 51637) puede ser comprado a su distribuidor local Rainsoft. Para mantener la calidad de su sistema es importante utilizar sólo filtros de repuesto y cartuchos genuinos Rainsoft. Otros filtros y cartuchos alternativos “hechos a medida” pretenden realizar las mismas funciones que las piezas originales Rainsoft, pero no están aprobados para ser usados en su sistema. Alternativas “hechas a medida” aumentarán la probabilidad de fugas, poniendo todo el sistema en riesgo. Al colocar filtros y cartuchos alternativos “hechos a medida” en su Sistema de Agua Potable Premium Rainsoft Ultrefiner II, la garantía del producto será nula y sin efecto y el sistema perderá su certificación NSF. Para garantizar el correcto funcionamiento y certificación de su sistema Rainsoft, por favor, utilizar piezas originales Rainsoft obtenidas a partir de su distribuidor local Rainsoft.

# *Garantía*

## *limitada de por vida*

*Durante el tiempo que usted posee los equipos*

RainSoft Division de Aquion, Inc., creyendo que su

**SISTEMA DE AGUA POTABLE PREMIUM ULTREFINER II** es de una calidad excepcional, garantiza, por la presente, este equipo a su primer comprador al por menor de la siguiente manera:

**LA CARCASA DEL TANQUE DE ALMACENAMIENTO, LA CARCASA DE LOS FILTROS, CONTEMPORARY FAUCET, CONTEMPORARY PLUS FAUCET ASSY, A CARCASA DE LA MEMBRANA Y EL CONTROL DEL MONOCASCO ESTÁN GARANTIZADOS CONTRA DEFECTOS DE FABRICACIÓN DURANTE LA VIDA DEL PRIMER COMPRADOR AL POR MENOR.**

**LA MEMBRANA ESTÁ PRORRATEADA CONTRA DEFECTOS DE FABRICACIÓN DURANTE 18 MESES (CRÉDITO DE 1/18 DEL COSTO DE REEMPLAZO POR CADA MES SIN USAR).**

**LOS COMPONENTES ELÉCTRICOS (SI APLICABLE) ESTÁN GARANTIZADOS CONTRA DEFECTOS DE FABRICACIÓN DURANTE 12 MESES.**

**LA VIDA ÚTIL DEL PREFILTRO Y DEL POSTFILTRO DEPENDE DE LAS CONDICIONES ESPECÍFICAS DEL AGUA Y EL SU USO. CONSULTAR EL MANUAL PARA LA FRECUENCIA DE REEMPLAZO RECOMENDADA.**

Esta garantía se inicia en el momento en que el equipo es conectado primero, y está condicionada a la devolución de una tarjeta de registro firmada por el propietario.

Esta garantía no requiere el reemplazo de la unidad entera. Si el equipo no funciona correctamente, deberá solicitar el servicio de asistencia en el concesionario que le vendió el equipo. Si no está satisfecho, deberá notificar a nuestro Gerente de Servicio al Cliente. Si no fuéramos capaces de arreglar el servicio local, deberá enviar la(s) pieza(s) defectuosa(s) (o, si lo prefiere, la unidad completa) directamente al fabricante, a portes pagados, con el comprobante de compra y una copia de esta garantía. La(s) pieza(s) defectuosa(s) (o la unidad entera) será reparada o entonces nuevas piezas RainSoft serán entregadas, por un cargo nominal, para cubrir la mano de obra, la manipulación, la embalaje y el incremento, en su caso, en el precio de venta de la(s) pieza(s) desde la fecha de compra. Deben ser utilizadas piezas originales RainSoft. La no utilización de piezas originales RainSoft anulará la garantía y las certificaciones.

Esta garantía no incluye los cargos de mano de obra, no cubre la instalación, el transporte, o cualquier otro reclamo. Algunos estados no permiten la exclusión o limitación de daños incidentales o consecuentes, por lo que partes de la anterior limitación o exclusión pueden no aplicarse a usted.

Esta garantía le otorga derechos legales específicos, y también puede tener otros derechos que varían de estado a estado. Usted también tiene derechos implícitos de garantía. En el caso de un problema con el servicio de garantía o con el rendimiento, usted puede dirigirse a una corte de reclamos menores, a un tribunal estatal, o a un Tribunal de Distrito Federal.

Esta garantía será nula si el equipo no está instalado y operando de acuerdo a las instrucciones. No se aplica a los daños causados por el abuso, accidente, negligencia, congelación, incendio, o por otras condiciones anormales más allá del control de la compañía. Esta garantía queda anulada en cualquier parte en la cual la fecha de fabricación ha sido removida o hizo ilegible.

Habrán beneficios de instalar y operar varios tipos de equipos RainSoft de acuerdo con las recomendaciones del fabricante. Los requisitos operacionales, de mantenimiento y de reemplazo son esenciales para que el producto desempeñe como se anuncia. Todas las alegaciones se basan en la mejor información disponible en el momento de la impresión. El fabricante no hace ninguna representación en cuanto a la conveniencia de este equipo para una aplicación particular. El comprador se debe basar enteramente en las recomendaciones del distribuidor en la compra de este equipo.

Los distribuidores independientes RainSoft pueden incluir, junto con su producto RainSoft, un producto o componente que no es fabricado por RainSoft o su empresa matriz, Aquion, Inc. Cualquier producto que no ha sido hecho por RainSoft puede estar cubierto por el fabricante de ese producto y no estar cubierto por la garantía RainSoft. Aquion, Inc. no garantiza que su producto RainSoft y el producto que no ha sido hecho por RainSoft funcionan correctamente cuando se usan juntos, y por lo tanto, no asume ninguna responsabilidad.

Rainsoft Division de Aquion, Inc.  
2080 East Lunt Avenue  
Elk Grove Village, Illinois, 60007, EE. UU.

# Ficha técnica del Instalador

Nombre del distribuidor: \_\_\_\_\_

Número de teléfono: \_\_\_\_\_

Número de la instalación: \_\_\_\_\_

Fecha de instalación: \_\_\_\_\_

Número de modelo: \_\_\_\_\_

Número de serie: (ver etiqueta) \_\_\_\_\_

Presión de línea: : \_\_\_\_\_ (psi)

Dureza:: \_\_\_\_\_

Cloro: \_\_\_\_\_

pH: \_\_\_\_\_

TSD de entrada: \_\_\_\_\_

# NOTAS



RainSoft Division of Aquion, Inc.  
2080 East Lunt Avenue  
Elk Grove Village, Illinois 60007  
Principal panel de control: 1.847.437.9400  
Servicio al Cliente: 1.800.860.7638  
[www.rainsoft.com](http://www.rainsoft.com)

©2013 RAINSOFT DIVISION OF AQUION, INC.